

HANSA Changeover valve SET 2x G1/2" 1x 1 1/4" union nut WSV 2445011050



HANSA 2445010050

Product short description:

Changeover valve 2xG1/2" and 1x 1/4"-12UNF union nut
fits HANSA safety valves KSV/ÜSV/XD and other good safety valves with G1/2" connector
fits Bitzer liquid receivers and oil separators with 1 1/4"-12UNF outer thread

Dimension (LxWxH): 131,5x30x112 mm
Weight: 0,514 kg
Part-No.: 2445011050

Made in Germany

Product codes:

Reference: 2445010050
EAN13: 4251692920190

Product description:

Design type

3-way changeover valve for safety valve with 1 1/4" inlet and G 1/2" outlet connection
Safety valve connection freely positionable

inlet A
outlet B
overall length H
Weight pc

1 1/4"-12UNF internal thread
G 1/2" internal thread
135 mm
0,741 kg / 0,860 kg (130bar) incl. 2x connection fitting

Applied standards and technical spec

Guideline PEG 2014/68 EU

Suitable for

Fluids in group 1 (please consult manufacturer) & group 2
respectively safety class A2L.

for all common refrigerants like HFC, HFO, CFC

except NH3 refrigerant

Suitable for R290 und R744

2x connection fitting 2700509050

2x copper O-Ring seal 2776854050

Shipped with:

Product features:

Material design: Steel

Connection: G1/2"

Connection: 1 1/4"-12UNF

Authorised refrigerants: R1336mzz(Z)

Authorised refrigerants: R434A

Authorised refrigerants: R407B

Authorised refrigerants: R460B

Authorised refrigerants: R417C

Authorised refrigerants: R455A

Authorised refrigerants: R134a

Authorised refrigerants: R437A

Authorised refrigerants: R407C

Authorised refrigerants: R460C

Authorised refrigerants: R420A

Authorised refrigerants: R421A

Authorised refrigerants: R454C

Authorised refrigerants: R22

Authorised refrigerants: R438A

Authorised refrigerants: R407D

Authorised refrigerants: R461A

Authorised refrigerants: R421B

Authorised refrigerants: R290

Authorised refrigerants: R30

Authorised refrigerants: R442A

Authorised refrigerants: R407E

Authorised refrigerants: R463A

Authorised refrigerants: R422A

Authorised refrigerants: R600A

Authorised refrigerants: R123

Authorised refrigerants: R448A

Authorised refrigerants: R407F

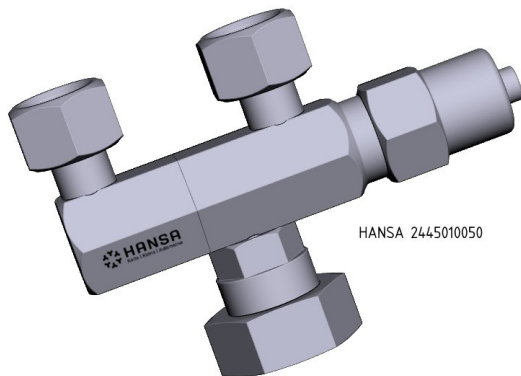
Authorised refrigerants: R464A

Authorised refrigerants: R422B

Authorised refrigerants: R124
Authorised refrigerants: R449B
Authorised refrigerants: R407G
Authorised refrigerants: R466A
Authorised refrigerants: R422C
Authorised refrigerants: R245fa
Authorised refrigerants: R449C
Authorised refrigerants: R408A
Authorised refrigerants: R468A
Authorised refrigerants: R422D
Authorised refrigerants: R401B
Authorised refrigerants: R449A
Authorised refrigerants: R409A
Authorised refrigerants: R471A
Authorised refrigerants: R422E
Authorised refrigerants: R401C
Authorised refrigerants: R450A
Authorised refrigerants: R409B
Authorised refrigerants: R513B
Authorised refrigerants: R423A
Authorised refrigerants: R401A
Authorised refrigerants: R452B
Authorised refrigerants: R410A
Authorised refrigerants: R513A
Authorised refrigerants: R424A
Authorised refrigerants: R402A
Authorised refrigerants: R452C
Authorised refrigerants: R410B
Authorised refrigerants: R514A
Authorised refrigerants: R425A
Authorised refrigerants: R402B
Authorised refrigerants: R452A
Authorised refrigerants: R414A
Authorised refrigerants: R515A
Authorised refrigerants: R426A
Authorised refrigerants: R403A
Authorised refrigerants: R453A
Authorised refrigerants: R414B
Authorised refrigerants: R744
Authorised refrigerants: R1233zd(E)
Authorised refrigerants: R427A
Authorised refrigerants: R407H
Authorised refrigerants: R456A

Authorised refrigerants: R416A
Authorised refrigerants: R1234ze(E)
Authorised refrigerants: R427B
Authorised refrigerants: R407I
Authorised refrigerants: R458A
Authorised refrigerants: R417A
Authorised refrigerants: R1336mzz(E)
Authorised refrigerants: R428A
Authorised refrigerants: R407A
Authorised refrigerants: R460A
Authorised refrigerants: R417B

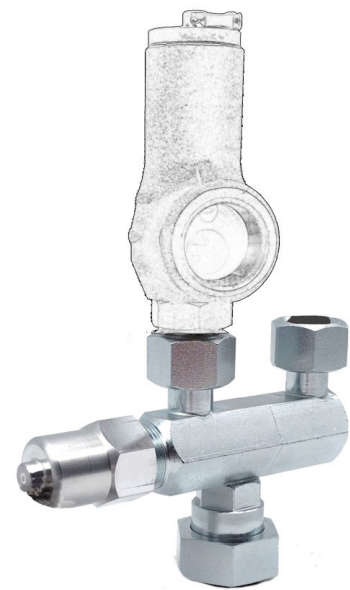
Product attributes:

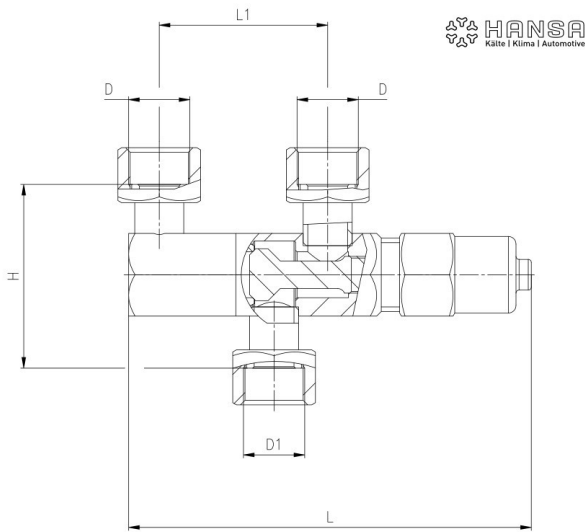


HANSA 2445010050



HANSA 2445010050





Artikel-Nr	L	L1	D	D1	H	P max
2445010050	131,5 mm	55 mm	G 1/2"	1 1/4" 12UNF	69 mm	45 bar
2445011050	131,5 mm	55 mm	G 1/2"	G 1/2"	66 mm	45 bar
2445012050	134,0 mm	55 mm	G 1/2"	G 1/2"	80 mm	130 bar