

## HANSA Changeover valve for KSV/ÜSV 2xG1/2" 1x 1 1/4" union nut WSV 2445010550



### Product short description:

Changeover valve 2xG1/2" and 1x 1/4" union nut  
for 2 HANSA safety valves KSV/ÜSV  
fits Bitzer receiver tank with 1 1/4" outer thread

Dimension (LxWxH): 131,5x30x112 mm

Weight: 0,514 kg

Part-No.: 2445011050

Made in Germany

### Product codes:

Reference: 2445010550

EAN13: 4251692920190

### Product description:

Design type	3-way changeover valve for safety valve with 1 1/4" inlet and G 1/2" outlet connection Safety valve connection freely positionable
inlet A	1 1/4"
outlet B	G 1/2"
overall length H	135 mm
Weight pc	0,741 kg / 0,860 kg (130bar) incl. 2x connection fitting
Conformity	Category IV - Modul B+F (2014/68 EU)
Applied standards	DIN EN 378, AD 2000-Information Sheet, VdTÜV-Information Sheet,
and technical spec	DIN EN ISO 4126-1, Guideline 2014/68 EU
Suitable for	Fluids in group 1 (please consult manufacturer) & group 2 respectively safety class A2L.

for all common refrigerants like HFC, HFO, CFC  
except NH3 refrigerant  
Suitable for R290 und R744  
2x connection fitting 2700509050  
2x copper O-Ring seal 2776854050

Optional accessories:

## **Product features:**

Material design: Steel

Connection: G1/2"

Connection: 1 1/4"

Authorised refrigerants: R407G

Authorised refrigerants: R466A

Authorised refrigerants: R422B

Authorised refrigerants: R124

Authorised refrigerants: R449B

Authorised refrigerants: R449C

Authorised refrigerants: R408A

Authorised refrigerants: R468A

Authorised refrigerants: R422C

Authorised refrigerants: R290

Authorised refrigerants: R245fa

Authorised refrigerants: R449A

Authorised refrigerants: R409A

Authorised refrigerants: R471A

Authorised refrigerants: R422D

Authorised refrigerants: R600A

Authorised refrigerants: R401B

Authorised refrigerants: R450A

Authorised refrigerants: R409B

Authorised refrigerants: R513B

Authorised refrigerants: R422E

Authorised refrigerants: R401C

Authorised refrigerants: R452B

Authorised refrigerants: R410A

Authorised refrigerants: R513A

Authorised refrigerants: R423A

Authorised refrigerants: R401A

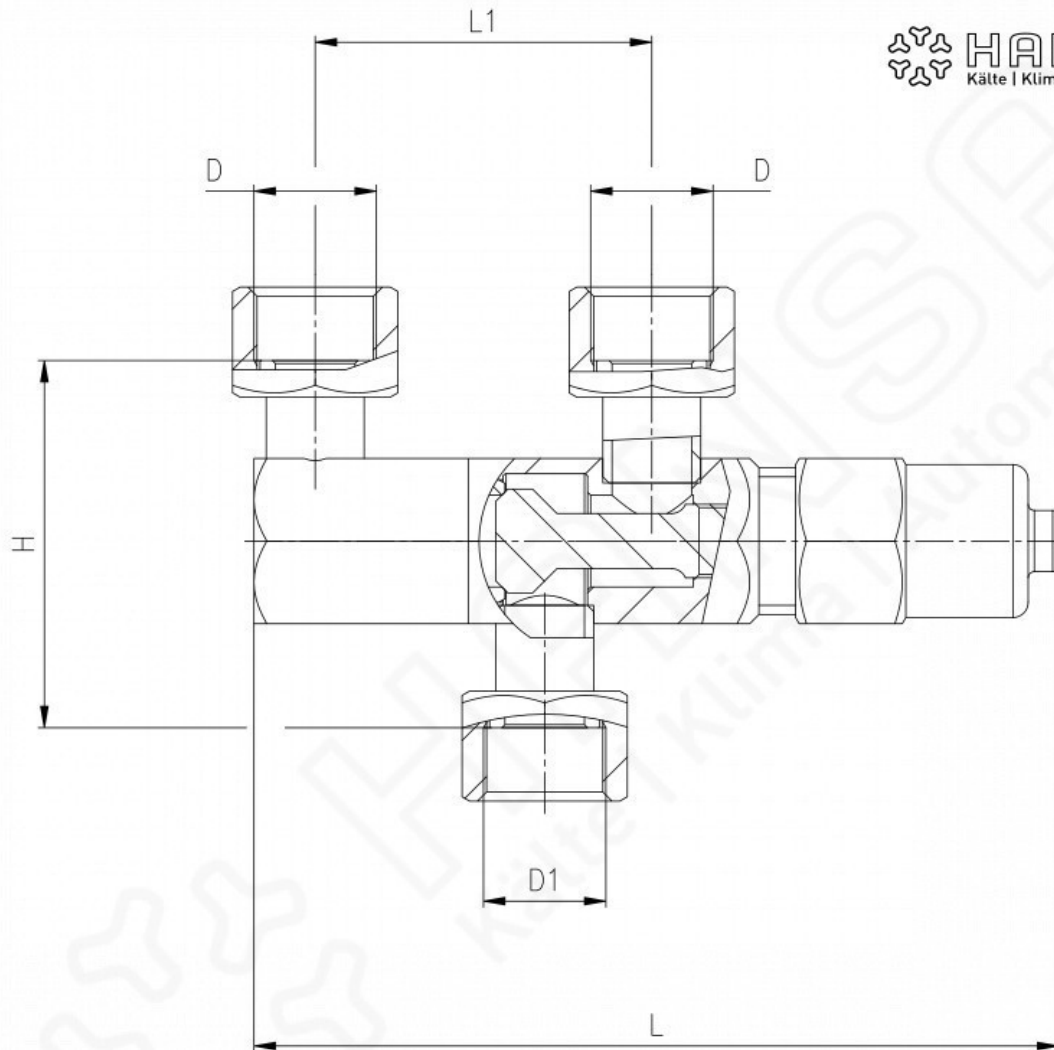
Authorised refrigerants: R452C

Authorised refrigerants: R410B

Authorised refrigerants: R514A  
Authorised refrigerants: R424A  
Authorised refrigerants: R402A  
Authorised refrigerants: R452A  
Authorised refrigerants: R414A  
Authorised refrigerants: R515A  
Authorised refrigerants: R425A  
Authorised refrigerants: R402B  
Authorised refrigerants: R403A  
Authorised refrigerants: R453A  
Authorised refrigerants: R414B  
Authorised refrigerants: R744  
Authorised refrigerants: R426A  
Authorised refrigerants: R407H  
Authorised refrigerants: R456A  
Authorised refrigerants: R416A  
Authorised refrigerants: R1233zd(E)  
Authorised refrigerants: R427A  
Authorised refrigerants: R407I  
Authorised refrigerants: R458A  
Authorised refrigerants: R417A  
Authorised refrigerants: R1234ze(E)  
Authorised refrigerants: R427B  
Authorised refrigerants: R407A  
Authorised refrigerants: R460A  
Authorised refrigerants: R417B  
Authorised refrigerants: R1336mzz(E)  
Authorised refrigerants: R428A  
Authorised refrigerants: R407B  
Authorised refrigerants: R460B  
Authorised refrigerants: R417C  
Authorised refrigerants: R1336mzz(Z)  
Authorised refrigerants: R434A  
Authorised refrigerants: R407C  
Authorised refrigerants: R460C  
Authorised refrigerants: R420A  
Authorised refrigerants: R455A  
Authorised refrigerants: R134a  
Authorised refrigerants: R437A  
Authorised refrigerants: R407D  
Authorised refrigerants: R461A  
Authorised refrigerants: R421A  
Authorised refrigerants: R454C

Authorised refrigerants: R22  
Authorised refrigerants: R438A  
Authorised refrigerants: R407E  
Authorised refrigerants: R463A  
Authorised refrigerants: R421B  
Authorised refrigerants: R30  
Authorised refrigerants: R442A  
Authorised refrigerants: R407F  
Authorised refrigerants: R464A  
Authorised refrigerants: R422A  
Authorised refrigerants: R123  
Authorised refrigerants: R448A

**Product attributes:**



Artikel-Nr	L	L1	D	D1	H	P max
2445010050	131,5 mm	55 mm	G 1/2"	1 1/4" 12UNF	69 mm	45 bar
2445011050	131,5 mm	55 mm	G 1/2"	G 1/2"	66 mm	45 bar
2445012050	134,0 mm	55 mm	G 1/2"	G 1/2"	80 mm	130 bar