

## copy of HANSA Safety valve KSV | 12.5 mm | G1/2" 2442



HANSA XD Ventil / valve 2329xxx050

### Product short description:

Safety valve KSV 1.0 bar | 12.5 mm | G1/2"

Dimension (LxWxH): 48x41x131 mm

Weight: 0,49 kg

Part-No.: 2442010050

Made in Germany

### Product codes:

Reference: 2329xxx050

EAN13: -

### Product description:

Design type	direct acting spring loaded valves
Opening characteristic	Standard safety valve
Type designation	KSV and HD-KSV
Part number KSV	2442xxx050 (xxx = bar value e.g. 280 = 28,0 bar)
Part number HD-KSV	2443xxx050 (xxx = bar value e.g. 280 = 28,0 bar)
Valve size	DN 15
throat	G 1/2"
outlet	G 1"
overall length	131 mm 27
Weight pc	0,490 kg
Licensing	Type tested safety valve (Modul B) Individual approval is based on Module F (2014/68 EU)

	Z-D-002-11018/16 and Z-D-002-11020/16
Marking KSV	SV · 16-11018 · 123 · D/G · 0,51 · p
Marking HD-KSV	SV · 16-11020 · 123 · D/G · 0,51 · P
Conformity assessment	Category IV - Modul B+F (2014/68 EU)
Applied standards and technical specification	DIN EN 378, AD 2000-Information Sheet, VdTÜV- Information Sheet, DIN EN ISO 4126-1, Guideline 2014/68 EU
Suitable for	Fluids in group 1 (please consult manufacturer) and 2 for all common refrigerants like HFC and CFC Includes refrigeration fluids safety class A2L "PRO" version for R290 Propan available. Except NH3 refrigerant !
Permissible temperature range	-30°C bis 120°C
Nominal Opening Pressure	as per catalogue ± 3% (EN ISO 4126-1 7.2.1)
Opening Pressure Diff	≤ 10%, min. 0,1bar
	EN ISO 4126-1 Travel ° ≤ 0,26
Threaded connection	G 1/2"
Max flow diameter	12,5mm
Housing material	brass CW617N (2.402 or CuZn40Pb2)
Output	G 1" free blow-off
Reduced discharge coefficient	0.51
Remarks:	Each valve tested and controled under supervision of DEKRA quality control certificate with control number

attached to each valve

## Product features:

Material design: Brass

Connection: G1/2"

Authorised refrigerants: R134a

Authorised refrigerants: R437A

Authorised refrigerants: R407C

Authorised refrigerants: R460C

Authorised refrigerants: R420A

Authorised refrigerants: R22

Authorised refrigerants: R438A

Authorised refrigerants: R407D

Authorised refrigerants: R461A

Authorised refrigerants: R421A

Authorised refrigerants: R421B

Authorised refrigerants: R30

Authorised refrigerants: R442A

Authorised refrigerants: R407E

Authorised refrigerants: R463A

Authorised refrigerants: R422A

Authorised refrigerants: R123

Authorised refrigerants: R448A

Authorised refrigerants: R407F

Authorised refrigerants: R464A

Authorised refrigerants: R422B

Authorised refrigerants: R124

Authorised refrigerants: R449B

Authorised refrigerants: R407G

Authorised refrigerants: R466A

Authorised refrigerants: R422C

Authorised refrigerants: R245fa

Authorised refrigerants: R449C

Authorised refrigerants: R408A

Authorised refrigerants: R468A

Authorised refrigerants: R422D

Authorised refrigerants: R401B

Authorised refrigerants: R449A

Authorised refrigerants: R409A

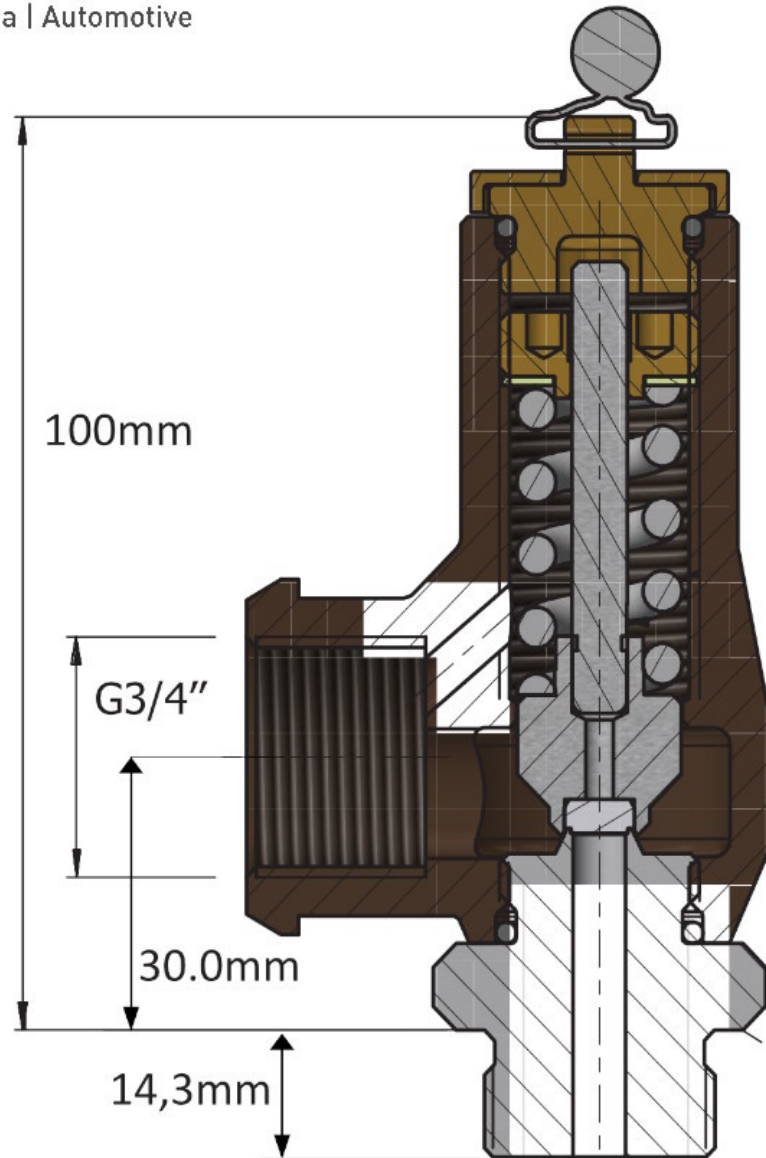
Authorised refrigerants: R471A  
Authorised refrigerants: R422E  
Authorised refrigerants: R401C  
Authorised refrigerants: R450A  
Authorised refrigerants: R409B  
Authorised refrigerants: R513B  
Authorised refrigerants: R423A  
Authorised refrigerants: R401A  
Authorised refrigerants: R452B  
Authorised refrigerants: R410A  
Authorised refrigerants: R513A  
Authorised refrigerants: R424A  
Authorised refrigerants: R402A  
Authorised refrigerants: R452C  
Authorised refrigerants: R410B  
Authorised refrigerants: R514A  
Authorised refrigerants: R425A  
Authorised refrigerants: R402B  
Authorised refrigerants: R452A  
Authorised refrigerants: R455A  
Authorised refrigerants: R414A  
Authorised refrigerants: R515A  
Authorised refrigerants: R426A  
Authorised refrigerants: R403A  
Authorised refrigerants: R453A  
Authorised refrigerants: R454C  
Authorised refrigerants: R414B  
Authorised refrigerants: R744  
Authorised refrigerants: R427A  
Authorised refrigerants: R407H  
Authorised refrigerants: R456A  
Authorised refrigerants: R2910  
Authorised refrigerants: R416A  
Authorised refrigerants: R1233zd(E)  
Authorised refrigerants: R1234ze(E)  
Authorised refrigerants: R427B  
Authorised refrigerants: R407I  
Authorised refrigerants: R458A  
Authorised refrigerants: R417A  
Authorised refrigerants: R1336mzz(E)  
Authorised refrigerants: R428A  
Authorised refrigerants: R407A  
Authorised refrigerants: R460A

---

Authorised refrigerants: R417B  
Authorised refrigerants: R1336mzz(Z)  
Authorised refrigerants: R434A  
Authorised refrigerants: R407B  
Authorised refrigerants: R460B  
Authorised refrigerants: R417C

**Product attributes:**

Set pressure bar: 60, 80, 90, 100, 120, 130



HANSA XD Ventil / valve 2329xxx050