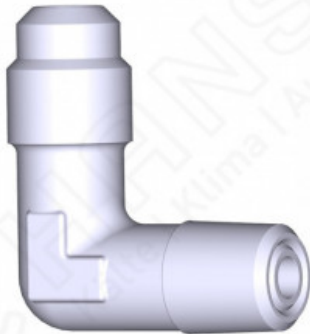


HANSA Elbow piece 7/16 UNF 1/8"NPT w 5V1 threat and Precote WK 2632100050



HANSA 2632100050

Product short description:

Elbow piece set 7/16 UNF 1/8"NPT and 5V1 threat for valve core fits tube size 6 mm or 1/4" with Precote 30-3-8 coating on 1/8" NPT side According to DIN 8906
Dimension (LxWxH): xx mm
Weight: 0,024 kg
Part-No.: 2632100050

Product codes:

Reference: 2632100050
EAN13: 4251692921401

Product description:

Material acc DIN EN12164: CW614N brass Operating pressure rang up to 140bar with mounted cap and suitable copper tube. Without cap operating pressure up to 48 bar. Operating temperature range -40°C to 110°C (shortterm +130°C) Tightening torque of valve insert: 0,4 to 0,8 Nm Approved refrigerants: HFC / PFC / CFC / HC e.g. R1234yf, R1234ze, R290, R32, R410a, R513a, R454B, R454C, R744a (up to the mentioned max. Operating pressure). NO refrigerants containing NH3 (Ammonia).

Product features:

Material design: Brass
Connection: 7/16-20UNF
Connection: 1/8"
Pressure range: 140 bar

Product attributes:

