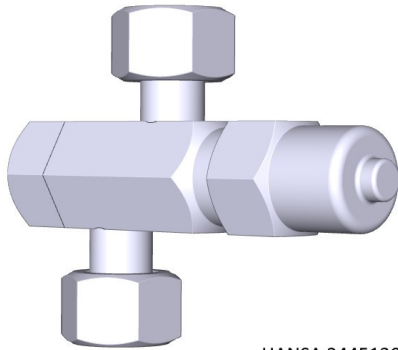


# HANSA shut-off valve SET G1/2" rotalock ASV 2445100050



HANSA 2445130050

## Product short description:

Shut-off valve 2xG1/2" rotalock union nut for HANSA safety valves KSV/ÜSV/XD or other good valves with G1/2" connector

Dimension (LxWxH): 110x30x112 mm  
 Weight: 0,413 kg  
 Part-No.: 2445130050

Made in Germany

## Product codes:

Reference: 2445130050  
 EAN13: 4251692921487

## Product description:

Construction		shut-off valve for safety valves with G 1/2" connection Connection of valve freely positionable
Inlet	A	G 1/2"
Outlet	B	G 1/2" (1 1/4" possible for Bitzer receiver / oil separator)
Length	H	110 mm
Weight		0.413 kg plus 1x connection nipples
Coating (base)		Zn12/A/T2 according to DIN EN ISO 2081 Additional powder coating possible
Operating pressure		45 bar (130 bar possible)
Operating temperature		-30°C / 130°C or 200°C (depending on the O-ring for spindle)
Standards and Technical spec.		DIN EN 378 Pressure Equipment Directive

Suitable for

2014/68 EU Art. 4 Para. 3  
Fluids of group 1 (please ask for individual cases) & group 2 or safety class A2L.

For all common refrigerants such as HFC, HFO, CFC except **those containing NH3**

See list, also suitable for R290 and R744.

Accessories included:

connection nipple 2700509050  
G1/2" | G1/2" 42mm

copper sealing ring 2776854050  
14x18x1 mm

Optional accessories:

Connection nipple 2700514050  
G1/2" | G1/2" 62mm

## Product features:

Material design: Steel

Connection: G1/2"

Pressure range: 45 bar

Authorised refrigerants: R427A

Authorised refrigerants: R407H

Authorised refrigerants: R456A

Authorised refrigerants: R416A

Authorised refrigerants: R1233zd(E)

Authorised refrigerants: R427B

Authorised refrigerants: R407I

Authorised refrigerants: R458A

Authorised refrigerants: R417A

Authorised refrigerants: R1234ze(E)

Authorised refrigerants: R428A

Authorised refrigerants: R407A

Authorised refrigerants: R460A

Authorised refrigerants: R417B

Authorised refrigerants: R1336mzz(E)

Authorised refrigerants: R434A

Authorised refrigerants: R407B

Authorised refrigerants: R460B

Authorised refrigerants: R417C

Authorised refrigerants: R134a

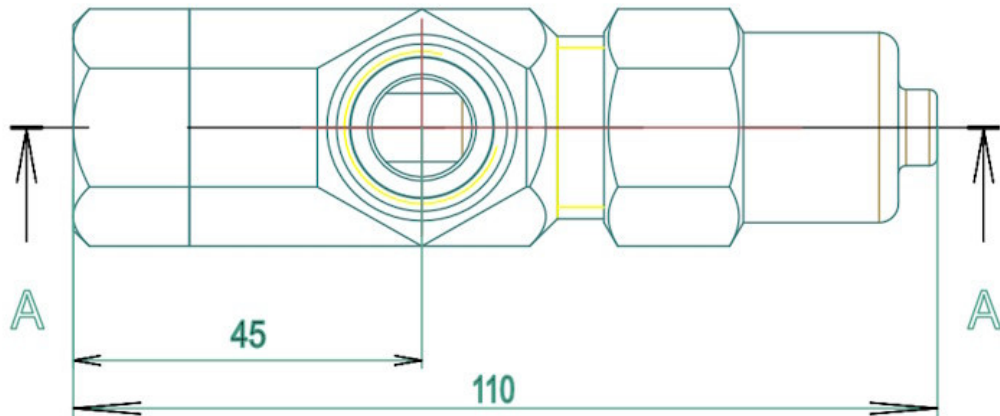
Authorised refrigerants: R437A

Authorised refrigerants: R407C

Authorised refrigerants: R460C  
Authorised refrigerants: R420A  
Authorised refrigerants: R22  
Authorised refrigerants: R438A  
Authorised refrigerants: R407D  
Authorised refrigerants: R461A  
Authorised refrigerants: R421A  
Authorised refrigerants: R30  
Authorised refrigerants: R442A  
Authorised refrigerants: R407E  
Authorised refrigerants: R463A  
Authorised refrigerants: R421B  
Authorised refrigerants: R123  
Authorised refrigerants: R1336mzz(Z)  
Authorised refrigerants: R448A  
Authorised refrigerants: R407F  
Authorised refrigerants: R464A  
Authorised refrigerants: R422A  
Authorised refrigerants: R124  
Authorised refrigerants: R455A  
Authorised refrigerants: R449B  
Authorised refrigerants: R407G  
Authorised refrigerants: R466A  
Authorised refrigerants: R422B  
Authorised refrigerants: R245fa  
Authorised refrigerants: R454C  
Authorised refrigerants: R449C  
Authorised refrigerants: R408A  
Authorised refrigerants: R468A  
Authorised refrigerants: R422C  
Authorised refrigerants: R401B  
Authorised refrigerants: R290  
Authorised refrigerants: R449A  
Authorised refrigerants: R409A  
Authorised refrigerants: R471A  
Authorised refrigerants: R422D  
Authorised refrigerants: R401C  
Authorised refrigerants: R600A  
Authorised refrigerants: R450A  
Authorised refrigerants: R409B  
Authorised refrigerants: R513B  
Authorised refrigerants: R422E  
Authorised refrigerants: R423A

Authorised refrigerants: R401A  
Authorised refrigerants: R452B  
Authorised refrigerants: R410A  
Authorised refrigerants: R513A  
Authorised refrigerants: R424A  
Authorised refrigerants: R402A  
Authorised refrigerants: R452C  
Authorised refrigerants: R410B  
Authorised refrigerants: R514A  
Authorised refrigerants: R425A  
Authorised refrigerants: R402B  
Authorised refrigerants: R452A  
Authorised refrigerants: R414A  
Authorised refrigerants: R515A  
Authorised refrigerants: R426A  
Authorised refrigerants: R403A  
Authorised refrigerants: R453A  
Authorised refrigerants: R414B  
Authorised refrigerants: R744

## **Product attributes:**



HANSA 2445100050