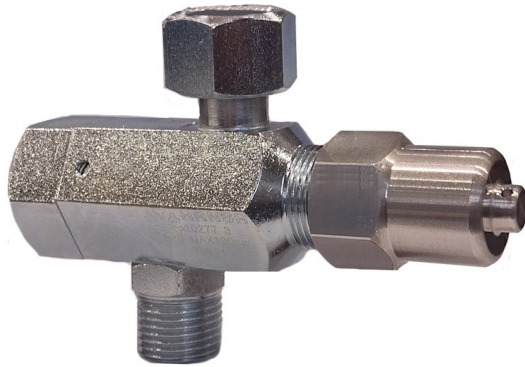


HANSA shut-off valve 130 bar G1/2" SET ASV 2445100050



HANSA 2445200050

Product short description:

Shut-off valve 130 bar 2xG1/2"
for HANSA safety valves KSV/ÜSV/XD or other
good valves with G1/2" connector

Dimension (LxWxH): 120x35x112 mm
Weight: 0,413 kg
Part-No.: 2445200050

Made in Germany

Product codes:

Reference: 2445200050
EAN13: 4251692921494

Product description:

Construction

Inlet	A
Outlet	B
Length	H
Weight	

Coating (base)

Operating pressure
Operating temperature

Standards and
Technical spec.

Shut-off valve for safety valves
with G 1/2" connection
Connection of safety valve
freely positionable
G 1/2"
G 1/2" (1 1/4" possible for
Bitzer receiver / oil separator)
110 mm
0.56 kg plus 1x connection
nipples
Zn12/A/T2 according to DIN EN
ISO 2081
Additional powder coating
possible
130 bar
-30°C / 130°C or 200°C
(depending on the O-ring for
spindle)
DIN EN 378
Pressure Equipment Directive

Suitable for

2014/68 EU Art. 4 Para. 3
Fluids of group 1 (please ask for individual cases) & group 2 or safety class A2L.

For all common refrigerants such as HFC, HFO, CFC except **those containing NH3**

See list, also suitable for R290 and R744.

Accessories included:

connection nipple 2700509050
G1/2" | G1/2" 42mm

copper sealing ring 2776854050
14x18x1 mm

Optional accessories:

Connection nipple 2700514050
G1/2" | G1/2" 62mm

Product features:

Material design: Steel

Connection: G1/2"

Pressure range: 130 bar

Authorised refrigerants: R422B

Authorised refrigerants: R124

Authorised refrigerants: R449B

Authorised refrigerants: R407G

Authorised refrigerants: R466A

Authorised refrigerants: R422C

Authorised refrigerants: R245fa

Authorised refrigerants: R449C

Authorised refrigerants: R408A

Authorised refrigerants: R468A

Authorised refrigerants: R422D

Authorised refrigerants: R401B

Authorised refrigerants: R449A

Authorised refrigerants: R409A

Authorised refrigerants: R471A

Authorised refrigerants: R422E

Authorised refrigerants: R401C

Authorised refrigerants: R450A

Authorised refrigerants: R409B

Authorised refrigerants: R513B

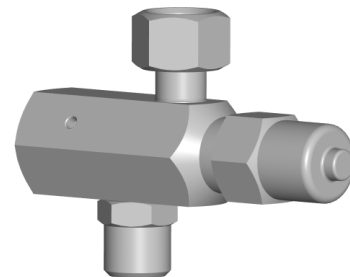
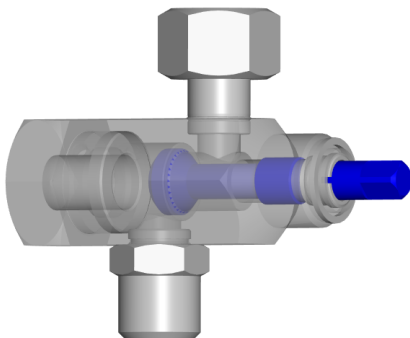
Authorised refrigerants: R513A

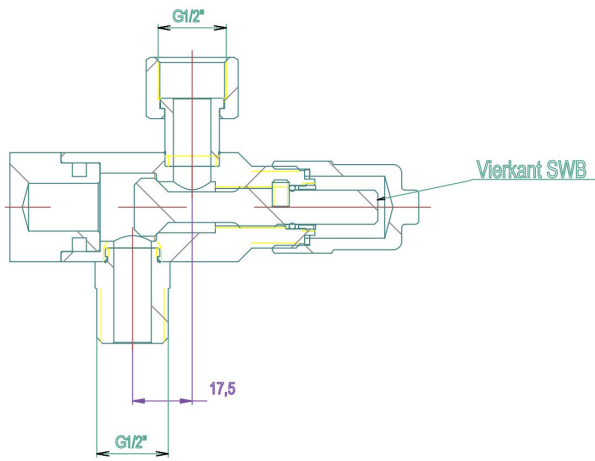
Authorised refrigerants: R423A

Authorised refrigerants: R401A
Authorised refrigerants: R452B
Authorised refrigerants: R410A
Authorised refrigerants: R514A
Authorised refrigerants: R424A
Authorised refrigerants: R402A
Authorised refrigerants: R452C
Authorised refrigerants: R410B
Authorised refrigerants: R515A
Authorised refrigerants: R425A
Authorised refrigerants: R402B
Authorised refrigerants: R452A
Authorised refrigerants: R414A
Authorised refrigerants: R744
Authorised refrigerants: R426A
Authorised refrigerants: R403A
Authorised refrigerants: R453A
Authorised refrigerants: R414B
Authorised refrigerants: R1233zd(E)
Authorised refrigerants: R427A
Authorised refrigerants: R407H
Authorised refrigerants: R456A
Authorised refrigerants: R416A
Authorised refrigerants: R1234ze(E)
Authorised refrigerants: R427B
Authorised refrigerants: R407I
Authorised refrigerants: R458A
Authorised refrigerants: R417A
Authorised refrigerants: R417B
Authorised refrigerants: R1336mzz(E)
Authorised refrigerants: R428A
Authorised refrigerants: R407A
Authorised refrigerants: R460A
Authorised refrigerants: R417C
Authorised refrigerants: R1336mzz(Z)
Authorised refrigerants: R434A
Authorised refrigerants: R407B
Authorised refrigerants: R460B
Authorised refrigerants: R420A
Authorised refrigerants: R455A
Authorised refrigerants: R134a
Authorised refrigerants: R437A
Authorised refrigerants: R407C

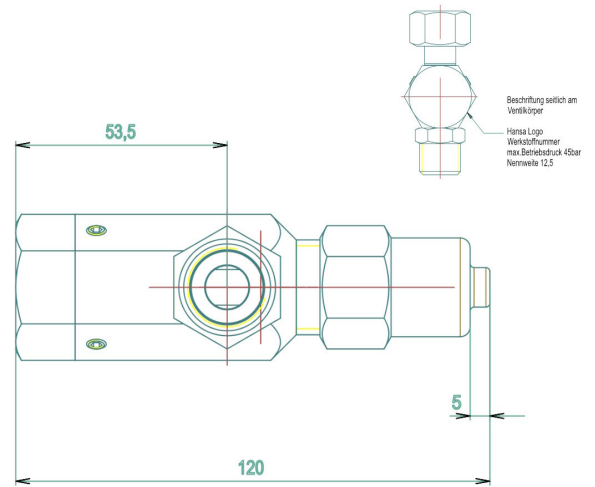
Authorised refrigerants: R460C
Authorised refrigerants: R421A
Authorised refrigerants: R454C
Authorised refrigerants: R22
Authorised refrigerants: R438A
Authorised refrigerants: R407D
Authorised refrigerants: R461A
Authorised refrigerants: R421B
Authorised refrigerants: R290
Authorised refrigerants: R30
Authorised refrigerants: R442A
Authorised refrigerants: R407E
Authorised refrigerants: R463A
Authorised refrigerants: R422A
Authorised refrigerants: R600A
Authorised refrigerants: R123
Authorised refrigerants: R448A
Authorised refrigerants: R407F
Authorised refrigerants: R464A

Product attributes:





HANSA 2445200050



HANSA 2445200050