

HANSA Drier cleaning drier 15/16 mm | 5/8" _2122116050

Product short description:

Drier cleaning drier 15/16 mm | 5/8"

Dimension (LxWxH): xx mm

Weight: 1,04 kg

Part-No.: 2122116050

Made in Germany



Product codes:

Reference: 2122116050

EAN13: 4251692910108

Product description:

- Quick and easy installation by bending the suction line without a separate intermediate pipe
- Complete chemical and adsorptive binding of impurities, acids and water thanks to various desiccants
- Optimum filtration thanks to coarse filter and thick-walled block insert with very large filter area
- Minimal pressure loss due to very large filter surface area

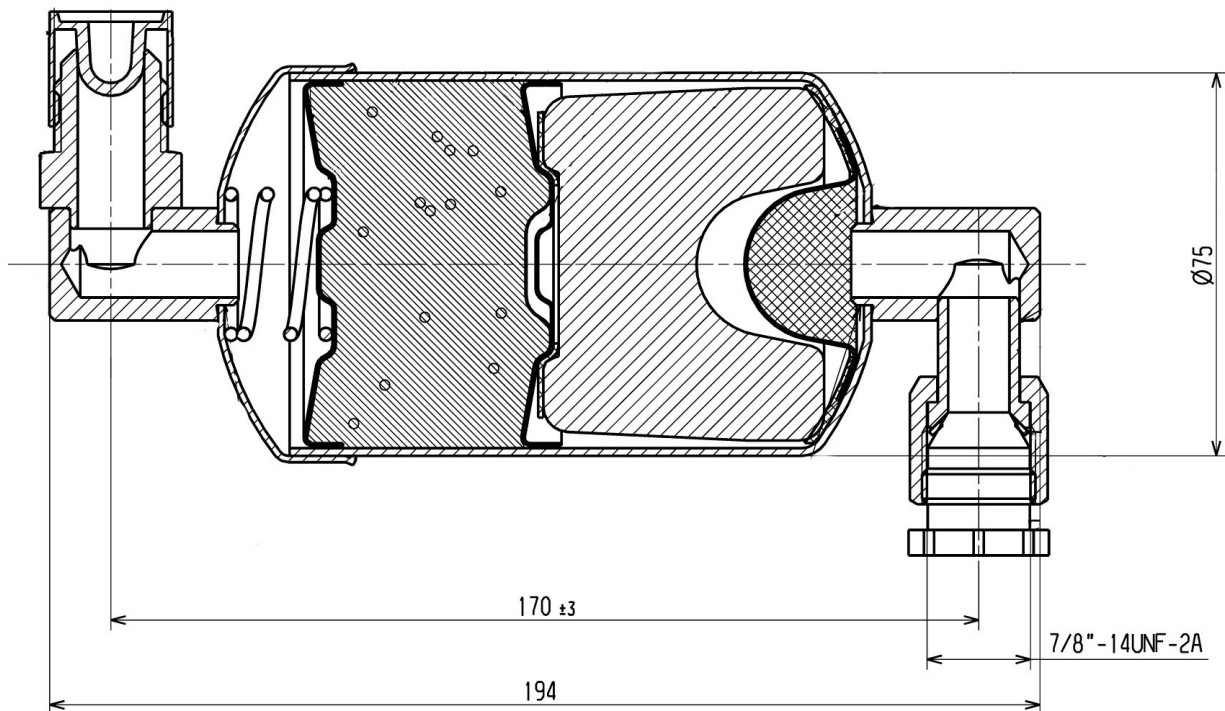
Technical information

- Cascade cleaning and drying
- Pre-cleaning of coarse particles (larger than 0.1 mm Ø) from the vapour-oil mixture using a fine-mesh wire sieve (mesh size 0.08 mm)
- Chemical binding of acids by aluminium oxide. Adsorption of oil resins and oil sludge by aluminium oxide
- Fine filtering of particles and simultaneous adsorption of water by a compact moulded body made of highly activated molecular sieves and aluminium oxide
- Particularly high moisture absorption
- Maximum operating pressure 55 or 60 bar
- Purification dryers are suitable for all refrigerants (except NH 3 and those containing NH 3)

Product features:

Connection: 7/8"-14UNF

Product attributes:



HANSA 2122116050