

## HANSA Sight glass w indicator solder 16 mm | 5/8" \_2403416050

### Product short description:

Sight glass w indicator solder 16 mm | 5/8"  
-40°C bis +100°C Operating temperature  
60 bar operating pressure  
Dimension (LxWxH): 155x30x35 mm  
Weight: 0,24 kg  
Part-No.: 2403416050

Made in Germany

### Product codes:

Reference: 2403416050  
EAN13: 4251692910986

### Product description:

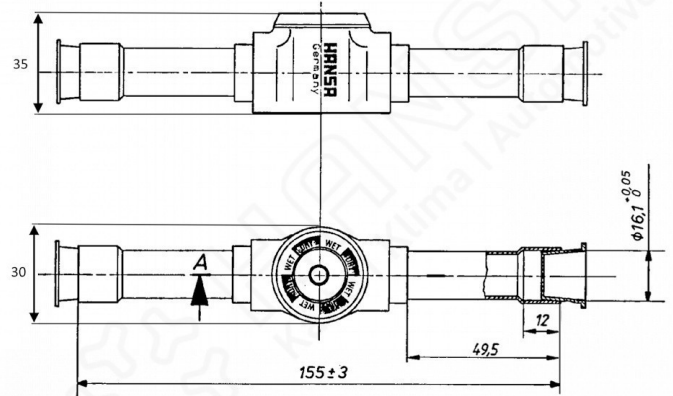
### Product features:

Material design: Brass  
Connection type: Solder ODF

### Product attributes:



Symbolbild HANSA Schauglas mit Indikator Lötanschluss  
Placeholder HANSA sight glass w indicator solder connector



HANSA 2403416050