

## HANSA Shut-off valve solder connection 6 mm\_2263406050

### Product short description:

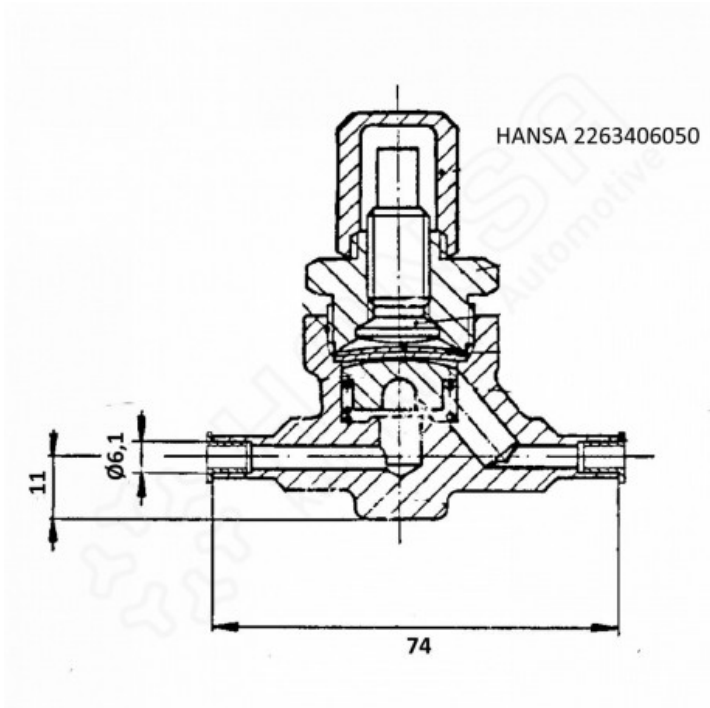
Diaphragm valve Shut-off valve Solder connection 6 mm  
Adjustable flow rate  
Housing made of hot-pressed pre-material, therefore non-porous and gas-tight  
Permissible temperature range - 40°C to + 120°C  
Max. permissible operating pressure 40 bar  
Kv value 1,10 (measured with R134a / 25°C)  
Suitable for all refrigerants except NH<sub>3</sub> / ammonia

Dimension (LxWxH): 74x71x50x mm  
Weight: 0,272 kg  
Part-No.: 2263406050

Made in Germany

### Product codes:

Reference: 2263406050  
EAN13: 4251692910115



### Product description:

### Product features:

Material design: Brass  
Connection type: Solder ODF  
Connection: 6 mm

### Product attributes:



HANSA 2263406050

