

HANSA Sight glass O-ring connection 16 mm | 5/8" _2415616050



Symbolbild HANSA Schauglas mit Indikator O-Ring Anschluss
Placeholder HANSA sight glass w indicator o-ring connector

Product short description:

Sight glass O-ring connection 7/8"-14UNF fits
tube size 16 mm | 5/8"
-40°C bis +100°C Operating temperature
60 bar operating pressure
Dimension (LxWxH): 93xx mm
Weight: 0,43 kg
Part-No.: 2415616050

Made in Germany

Product codes:

Reference: 2415616050
EAN13: 4251692911082

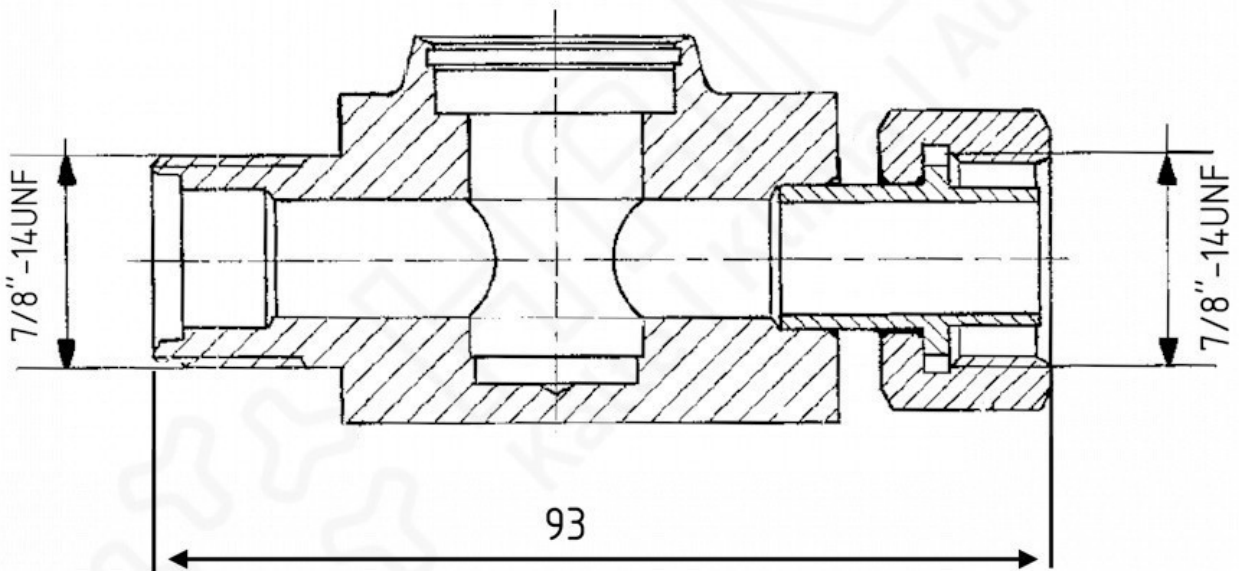
Product description:

Material housing: brass (acc DIN EN12164) Operating pressure rang up to 60bar
Operating temperature: -40°C to +100°C
Approved refrigerants: HFC / PFC / CFC / HC / R744 / R290HFO as R1234yf incl. blends like R513a except of NH3 containing refrigerants.
Large visible surface in all versions, with and without indicator. High temperature and pressure resistance.

Product features:

Material design: Brass
Connection type: O-Ring

Product attributes:



HANSA 2415616050