

HANSA Shut-off valve solder connection 12 mm_2263412050



HANSA 2263412050

Product short description:

Diaphragm valve Shut-off valve solder connection 12 mm
Adjustable flow rate
Housing made of hot-pressed pre-material, therefore non-porous and gas-tight
Permissible temperature range - 40°C to + 120°C
Max. permissible operating pressure 40 bar
Kv value 5.75 (measured with R134a / 25°C)
Suitable for all refrigerants except NH₃ / ammonia

Dimension (LxWxH): xx mm
Weight: 0,349 kg
Part-No.: 2263412050

Made in Germany

Product codes:

Reference: 2263412050
EAN13: 4251692910122

Product description:

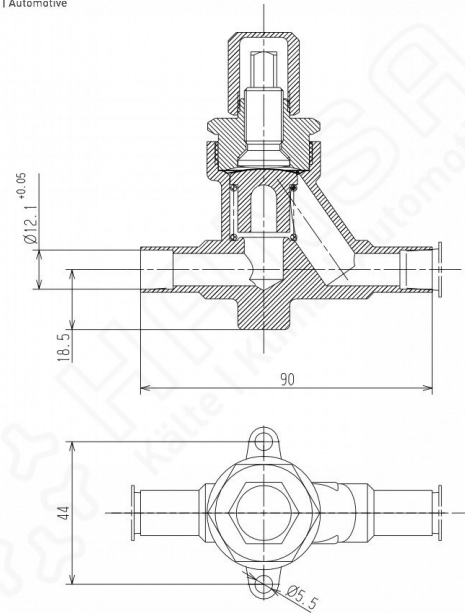
Product features:

Material design: Brass
Connection type: Solder ODF
Connection: 12 mm

Product attributes:



HANSA 2263412050



HANSA 2263412050