

## HANSA Sight glass for solder connection 22 mm 7/8" SG 2424422050



Symbolbild HANSA Schauglas mit Lötanschluss  
Placeholder HANSA sight glas w solder connector

### Product short description:

Sight glass for solder connection for tube size  
22 mm or 7/8"

-40°C bis +100°C Operating temperature

60 bar operating pressure

Dimension (LxWxH): 199x40x25 mm

Weight: 0,355 kg

Part-No.: 2424422050

Made in Germany

### Product codes:

Reference: 2424422050

EAN13: 4251692911167

### Product description:

Material housing: brass (acc DIN EN12164)

Material connectin tube: copper CW024A (Cu-DHP)

Operating pressure rang up to 60bar

Operating temperature: -40°C to +100°C

Approved refrigerants:

HFC / PFC / CFC / HC / R744 / R290

except of NH3 containing refrigerants.

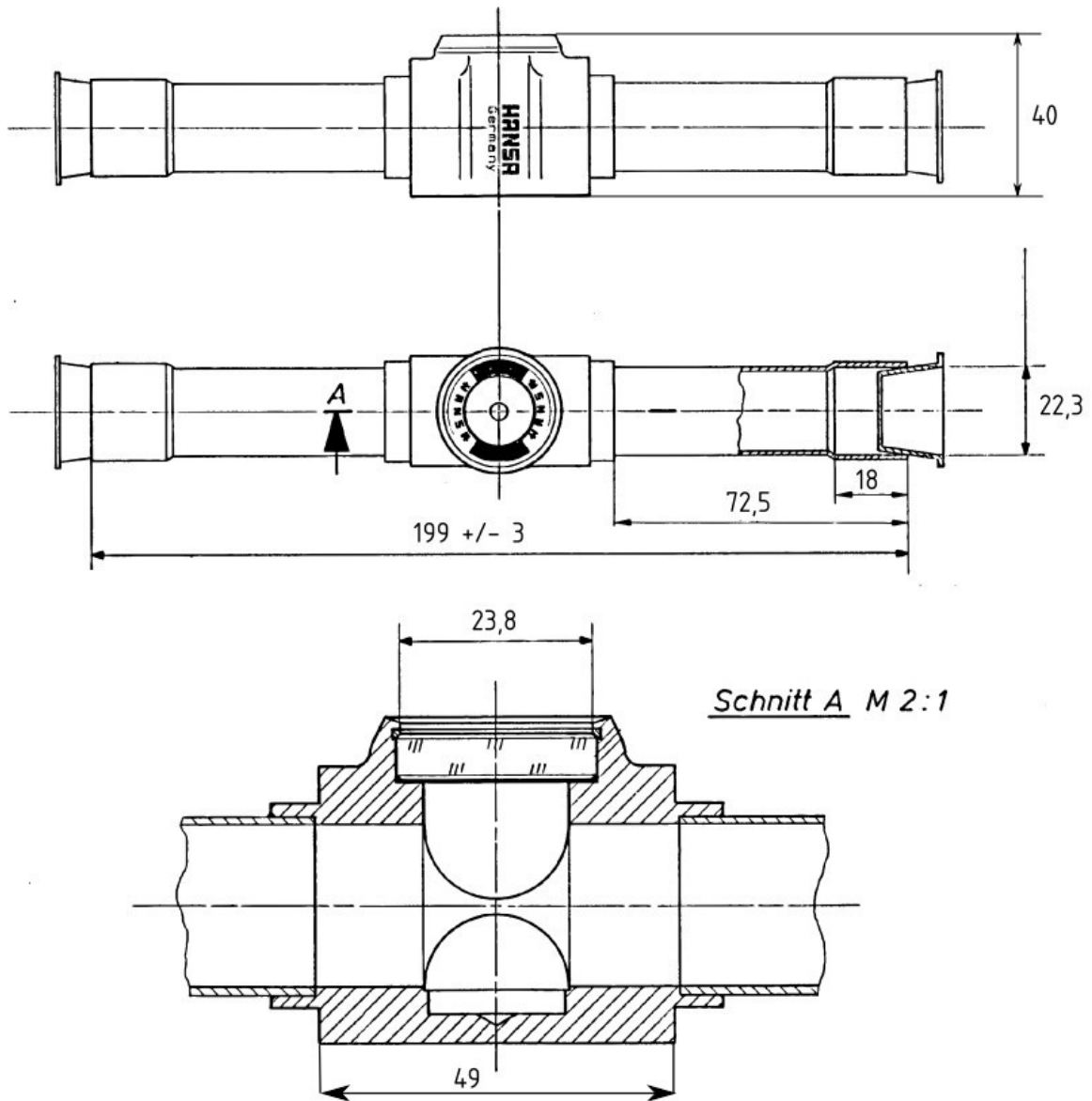
Large visible surface in all versions, with and without indicator. High temperature and pressure resistance.

### Product features:

---

Material design: Brass  
Connection type: Solder ODF  
Connection: 22 mm  
Connection: 7/8"  
Pressure range: 60 bar

## **Product attributes:**



HANSA 2424422050