

## HANSA Sight glass flare 3/4"-16UNF SG 2433312050



HANSA 2433312050

### Product short description:

Sight glass flare 3/4"-16UNF fits tube size 12 mm | 1/2"

-40°C bis +100°C Operating temperature

60 bar operating pressure

Dimension (LxWxH): 68x31x35 mm

Weight: 0,264 kg

Part-No.: 2433312050

Made in Germany

### Product codes:

Reference: 2433312050

EAN13: 4251692911204

### Product description:

Material housing: brass (acc DIN EN12164)

Operating pressure rang up to 60bar

Operating temperature: -40°C to +100°C

Approved refrigerants:

HFC / PFC / CFC / HC / R744 / R290

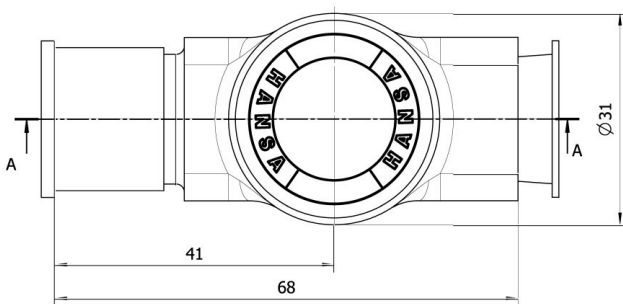
except of NH3 containing refrigerants.

Large visible surface in all versions, with and without indicator. High temperature and pressure resistance.

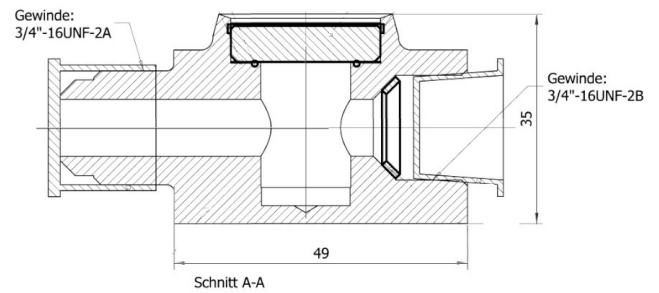
**Product features:**

Material design: Brass  
 Connection type: Flare  
 Connection: 3/4"-16UNF  
 Pressure range: 60 bar

**Product attributes:**



HANSA 2433312050



HANSA 2433312050