

HANSA Changeover valve for KSV/ÜSV 12.5 mm | G1/2" coated black nozzle_2445006050



Product short description:

Changeover valve for KSV/ÜSV 12.5 mm | G1/2"
coated black nozzle

Dimension (LxWxH): 145x30x151 mm

Weight: 0,86 kg

Part-No.: 2445006050

Made in Germany

Product codes:

Reference: 2445006050

EAN13: 4251692912171

Product description:

Product features:

Material design: Steel

Connection: G1/2"

Authorised refrigerants: R417B

Authorised refrigerants: R1336mzz(E)

Authorised refrigerants: R428A

Authorised refrigerants: R407A

Authorised refrigerants: R460A

Authorised refrigerants: R417C

Authorised refrigerants: R1336mzz(Z)

Authorised refrigerants: R434A

Authorised refrigerants: R407B

Authorised refrigerants: R460B

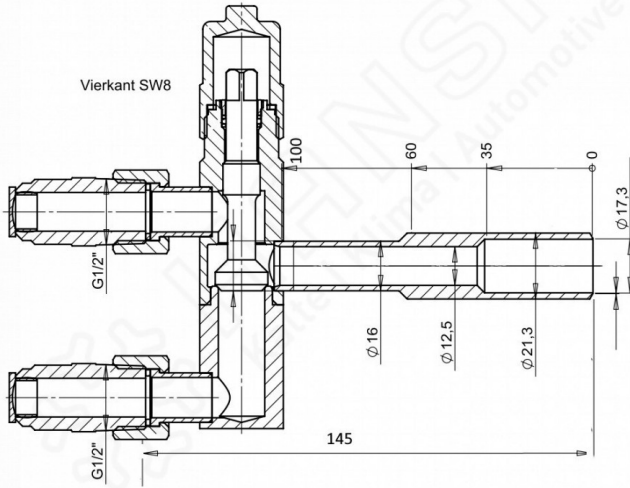
Authorised refrigerants: R420A

Authorised refrigerants: R134a

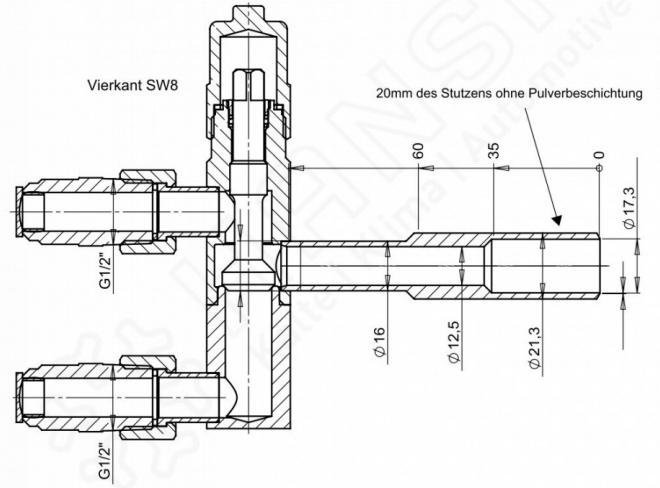
Authorised refrigerants: R437A
Authorised refrigerants: R407C
Authorised refrigerants: R460C
Authorised refrigerants: R421A
Authorised refrigerants: R22
Authorised refrigerants: R438A
Authorised refrigerants: R407D
Authorised refrigerants: R461A
Authorised refrigerants: R421B
Authorised refrigerants: R30
Authorised refrigerants: R442A
Authorised refrigerants: R407E
Authorised refrigerants: R463A
Authorised refrigerants: R464A
Authorised refrigerants: R455A
Authorised refrigerants: R422A
Authorised refrigerants: R123
Authorised refrigerants: R448A
Authorised refrigerants: R407F
Authorised refrigerants: R466A
Authorised refrigerants: R454C
Authorised refrigerants: R422B
Authorised refrigerants: R124
Authorised refrigerants: R449B
Authorised refrigerants: R407G
Authorised refrigerants: R468A
Authorised refrigerants: R422C
Authorised refrigerants: R245fa
Authorised refrigerants: R449C
Authorised refrigerants: R408A
Authorised refrigerants: R471A
Authorised refrigerants: R422D
Authorised refrigerants: R401B
Authorised refrigerants: R449A
Authorised refrigerants: R409A
Authorised refrigerants: R513B
Authorised refrigerants: R422E
Authorised refrigerants: R401C
Authorised refrigerants: R450A
Authorised refrigerants: R409B
Authorised refrigerants: R513A
Authorised refrigerants: R423A
Authorised refrigerants: R401A

Authorised refrigerants: R452B
Authorised refrigerants: R410A
Authorised refrigerants: R410B
Authorised refrigerants: R514A
Authorised refrigerants: R424A
Authorised refrigerants: R402A
Authorised refrigerants: R452C
Authorised refrigerants: R414A
Authorised refrigerants: R515A
Authorised refrigerants: R425A
Authorised refrigerants: R402B
Authorised refrigerants: R452A
Authorised refrigerants: R414B
Authorised refrigerants: R744
Authorised refrigerants: R426A
Authorised refrigerants: R403A
Authorised refrigerants: R453A
Authorised refrigerants: R416A
Authorised refrigerants: R1233zd(E)
Authorised refrigerants: R427A
Authorised refrigerants: R407H
Authorised refrigerants: R456A
Authorised refrigerants: R417A
Authorised refrigerants: R1234ze(E)
Authorised refrigerants: R427B
Authorised refrigerants: R407I
Authorised refrigerants: R458A

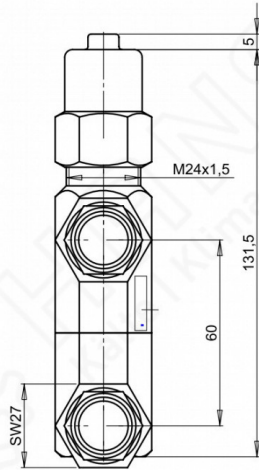
Product attributes:



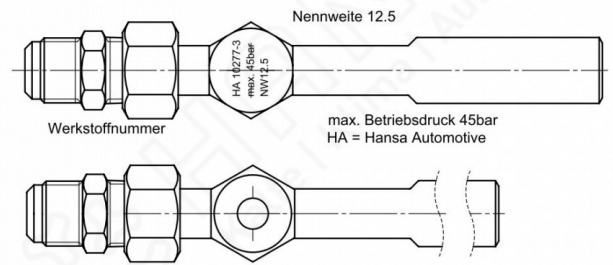
HANSA 2445006150



HANSA 2445006050



HANSA 2445006150
HANSA 2445006050



HANSA 2445006150
HANSA 2445006050