

HANSA Changeover valve G1/2" high temperature resistant WSV 2445007050



Product short description:

Changeover valve for KSV/ÜSV 12.5 mm | G1/2" high temperature resistant - suitable for R1270 propen
 Operation pressure: up to 45 bar
 Operation temperature: -20°C to +200°C
 Dimension (LxWxH): 135x30x112 mm
 Weight: 0,741 kg
 Part-No.: 2445007050

Made in Germany

Product codes:

Reference: 2445007050
 EAN13: 4251692912188

Product description:

Design type 3-way changeover valve for safety valve with G 1/2" connection
 Safety valve connection freely positionable

inlet A G 1/2"
 outlet B G 1/2"
 overall length H 135 mm
 Weight pc 0,741 kg incl. 2x connection fitting plus sealing ring

Applied standards / technical spec
 DIN EN 378, AD 2000-Information Sheet, VdTÜV-Information Sheet,
 Guideline PED 2014/68 EU

Suitable for Fluids in group 1 (please consult manufacturer) & group 2 respectively safety class A2L.

for all common refrigerants like HFC, HFO, CFC except NH3 refrigerant

Suitable for R290, R744 and R1270

Shipped with: 2x connection fitting 2700509050
 2x copper O-Ring seal 2776854050

Product features:

Material design: Steel

Connection: G1/2"

Authorised refrigerants: R427A

Authorised refrigerants: R407H

Authorised refrigerants: R456A

Authorised refrigerants: R416A

Authorised refrigerants: R1233zd(E)

Authorised refrigerants: R427B

Authorised refrigerants: R407I

Authorised refrigerants: R458A

Authorised refrigerants: R417A

Authorised refrigerants: R1234ze(E)

Authorised refrigerants: R428A

Authorised refrigerants: R407A

Authorised refrigerants: R460A

Authorised refrigerants: R417B

Authorised refrigerants: R1336mzz(E)

Authorised refrigerants: R434A

Authorised refrigerants: R407B

Authorised refrigerants: R460B

Authorised refrigerants: R417C

Authorised refrigerants: R1336mzz(Z)

Authorised refrigerants: R134a

Authorised refrigerants: R437A

Authorised refrigerants: R407C

Authorised refrigerants: R460C

Authorised refrigerants: R420A

Authorised refrigerants: R455A

Authorised refrigerants: R22

Authorised refrigerants: R438A

Authorised refrigerants: R407D

Authorised refrigerants: R461A

Authorised refrigerants: R421A

Authorised refrigerants: R454C

Authorised refrigerants: R30

Authorised refrigerants: R442A

Authorised refrigerants: R407E

Authorised refrigerants: R463A

Authorised refrigerants: R421B

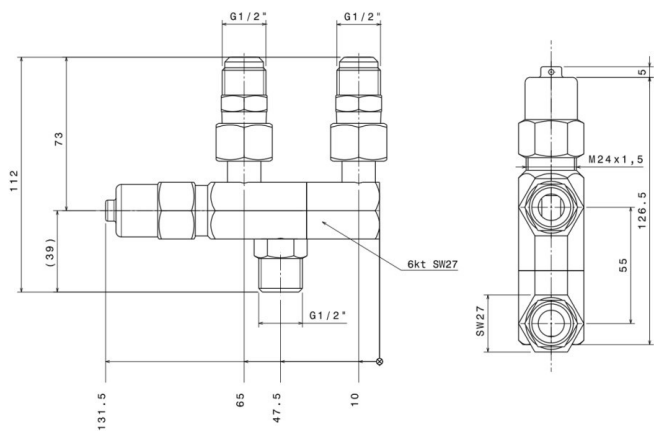
Authorised refrigerants: R1270
Authorised refrigerants: R123
Authorised refrigerants: R448A
Authorised refrigerants: R407F
Authorised refrigerants: R464A
Authorised refrigerants: R422A
Authorised refrigerants: R124
Authorised refrigerants: R449B
Authorised refrigerants: R407G
Authorised refrigerants: R466A
Authorised refrigerants: R422B
Authorised refrigerants: R245fa
Authorised refrigerants: R449C
Authorised refrigerants: R408A
Authorised refrigerants: R468A
Authorised refrigerants: R422C
Authorised refrigerants: R401B
Authorised refrigerants: R449A
Authorised refrigerants: R409A
Authorised refrigerants: R471A
Authorised refrigerants: R422D
Authorised refrigerants: R401C
Authorised refrigerants: R450A
Authorised refrigerants: R409B
Authorised refrigerants: R513B
Authorised refrigerants: R422E
Authorised refrigerants: R401A
Authorised refrigerants: R452B
Authorised refrigerants: R410A
Authorised refrigerants: R513A
Authorised refrigerants: R423A
Authorised refrigerants: R402A
Authorised refrigerants: R452C
Authorised refrigerants: R410B
Authorised refrigerants: R514A
Authorised refrigerants: R424A
Authorised refrigerants: R425A
Authorised refrigerants: R402B
Authorised refrigerants: R452A
Authorised refrigerants: R414A
Authorised refrigerants: R515A
Authorised refrigerants: R426A
Authorised refrigerants: R403A

Authorised refrigerants: R453A

Authorised refrigerants: R414B

Authorised refrigerants: R744

Product attributes:



HANSA 2445001050 Wechselventil

