

HANSA Receiver drier 0,7l 5/8"-18UNF 229mm STS 2525274050



Product short description:

Receiver drier 0.8l flare connection with 2 pressure switches and sight glass

Dimension (LxWxH): 229x75x75 mm

Weight: 1,002 kg

Part-No.: 2525274050

OEm 45358A

Made in Germany

Product codes:

Reference: 2525274050

EAN13: 4251692916513

Product description:

Surface matt black powder-coated

Surface test according to DBL-7391.00 and Hansa factory standard NTA48

Water absorption of the dry material 16g according to DIN 8949
at a final moisture content of 15ppm water at R134a

Operating pressure: 45 bar

Burst pressure: 100 bar

Capacity: 0.80l

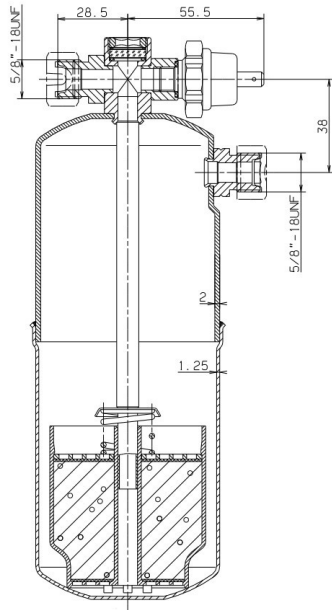
Pressure switch 1:

Pressure ranges:

Open on decreasing pressure: 1.97 ±0.25bar

Closing with increasing pressure: 2.25bar

Connection: blade terminal A6.3x0.8 DIN46244



HANSA 2525474050