

HANSA Receiver drier steel Ø95 0.9l sight glass indicator valve STS 2525337050



Product short description:

Receiver drier steel Ø95 0.9l sight glass indicator valve
Sensorport: 7/16"-20UNF

Dimension (LxWxH): 95x95x177 mm
Weight: 1,28 kg
Part-No.: 2525337050 OEM H14-001-027 H14001027

Made in Germany

Product codes:

Reference: 2525337050
EAN13: 4251692918630

Product description:

- Steel housing - capacity approx. 0.9m³
- Black powder-coated surface, tested according to Hansa NTA48
- Integrated sight glass
- Water absorption of 16g at 25°C (134a)
- Optionally available with holder, sensor and safety valve
- Filter cartridge with either pure molecular sieve or addition of aluminium oxide
- Water absorption capacity of the dry material: 16 g according to ARI 71086 at 25°C
- Filter capacity $\geq 15\mu\text{m}$
- Operating pressure up to 45 bar (valve opens at 40 bar)
- Max. test pressure 1.1 times the operating pressure
- Burst pressure: min 105 bar
- Operating temperature: -40°C-+120°C
- Variable connection geometry
- Vibration and shock resistant (4G and 10G)
- Drying and filtering of fluids of group I and II or safety class A2L (except refrigerants containing NH₃ and NH₃).
- Approved for R1234yf, R1234ze, R290, R410a, R513a, R600a, R744a (up to the max. operating pressure specified below), among others

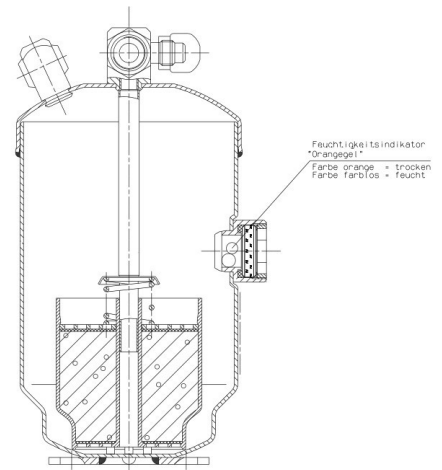
Product features:

Material design: Steel

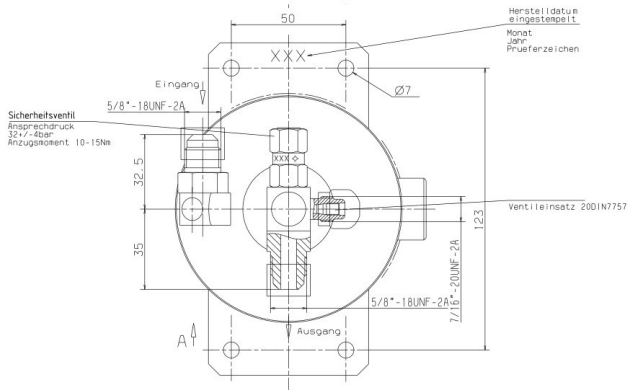
Connection type: Flare

Connection: 5/8"-18UNF

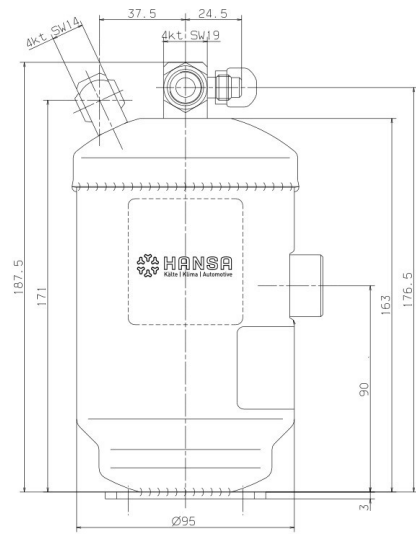
Product attributes:



HANSA 2525337050



HANSA 2525337050



HANSA 2525337050