

HANSA Receiver drier ALU Ø75 | 175mm sight glass safety valve STA 2525443050

Product short description:

Receiver drier bottle ALU Ø75 | 175mm sight glass safety valve

Dimension (LxWxH): 175x75x75 mm

Weight: 0,593 kg

Part-No.: 2525443050

OEM A 463 500 02 49 A4635000249

Made in Germany



HANSA 2525443050

Product codes:

Reference: 2525443050

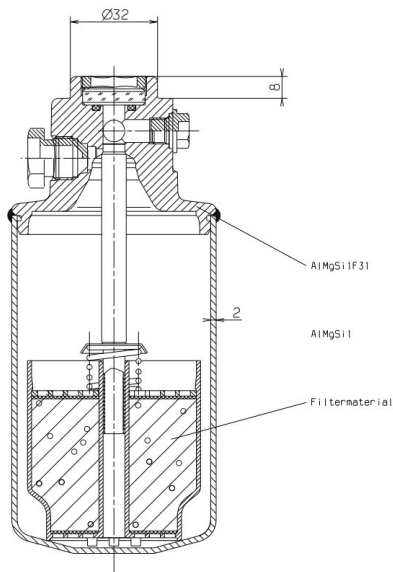
EAN13: 4251692916810

Product description:

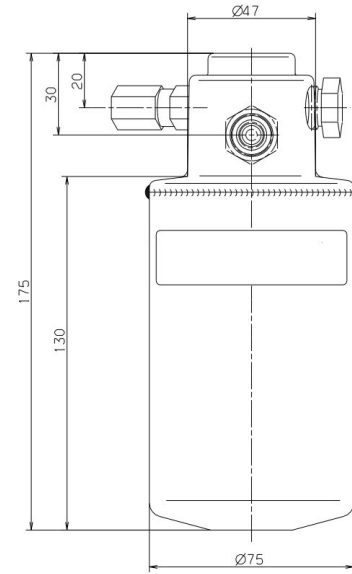
Product features:

Material design: Aluminium

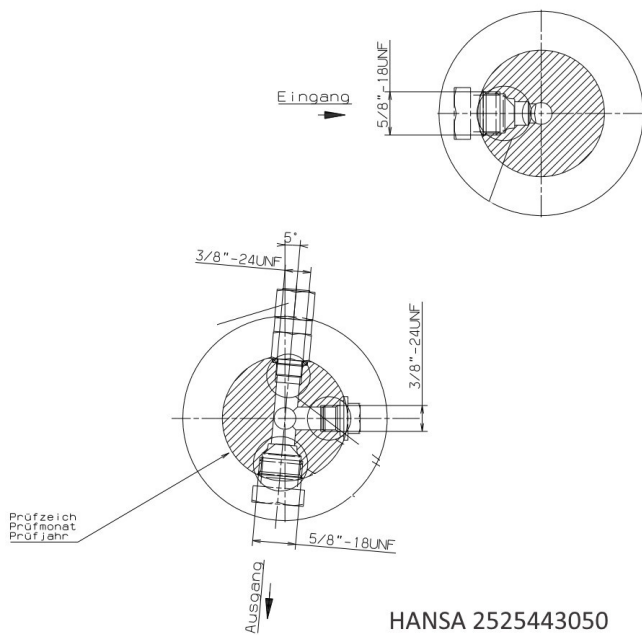
Product attributes:



HANSA 2525443050



HANSA 2525443050



HANSA 2525443050