

HANSA Receiver drier steel 0.54l flare w sight glass valve_2525499050



Product short description:

Receiver drier steel 0.54l flare w sight glass valve

Dimension (LxWxH): xx mm

Weight: 0,619 kg

Part-No.: 2525499050

Made in Germany

Product codes:

Reference: 2525499050

EAN13: 4251692912928

Product description:

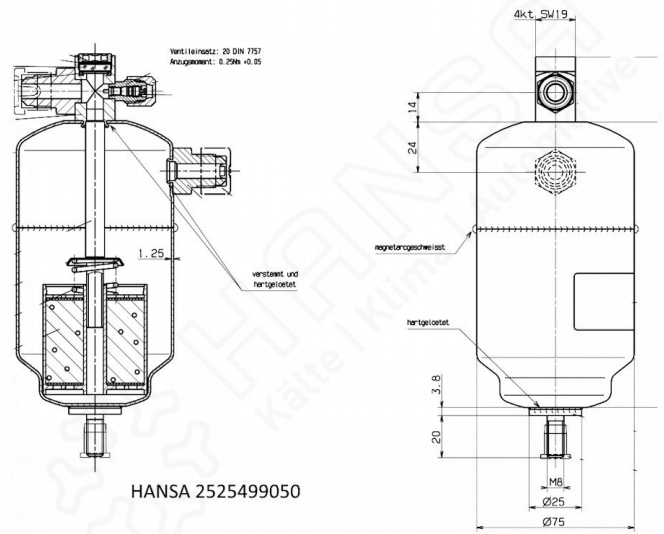
- Steel housing - capacity approx. 0.54m³
- Sight glass integrated
- Water absorption of 8g at 60°C (134a)
- Optionally available with holder, sensor and safety valve
- Filter cartridge with optional pure molecular sieve or addition of aluminium oxide
- Burst pressure resistant up to 100 bar
- Variable connection geometry
- Fixing screw on bottom side
- Vibration or shock resistant (4G or 10G)
- Drying and filtering of fluids of groups I and II or safety class A2L (except NH₃ and NH₃-containing refrigerants).
- Approved for R1234yf, R1234ze, R290, R410a, R513a, R600a, R744a (up to the max. operating pressure stated below), among others.

Product features:

Material design: Steel

Connection type: Flare
Connection: 5/8"-18UNF

Product attributes:



HANSA 2525499050

