

HANSA Receiver drier steel Ø75mm 0.5l sight glass STS 2525528050



Product short description:

Receiver drier steel Ø75mm 0.5l sight glass

Dimension (LxWxH): 152x75x75 mm

Weight: 0,51 kg

Part-No.: 2525528050

Made in Germany

Product codes:

Reference: 2525528050

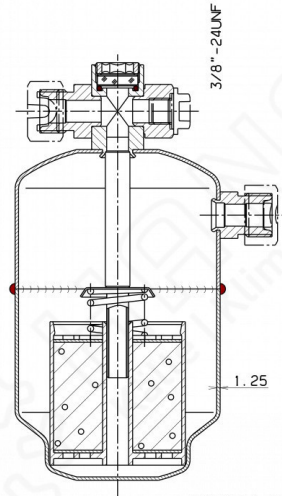
EAN13: 4251692912935

Product description:

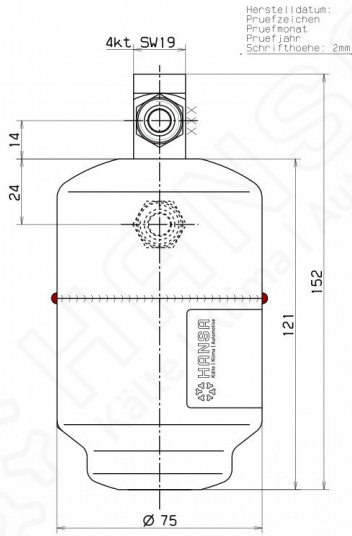
Steel housing - capacity approx. 0.54m³Sight glass integratedWater absorption of 8g at 60°C (134a)Optionally available with holder, sensor and safety valveFilter cartridge with either pure molecular sieve or addition of aluminium oxideBurst pressure resistant >= 100 barOperating pressure = 40 barVariable connection geometryVibration or shock resistant (4G or 10G)Drying and filtering of fluids of group I and II or safety class A2L (except refrigerants containing NH₃ and NH₃)Approved for R134a, R1234yf, R1234ze, R290, R410a, R513a, R600a, R744a (up to the max. operating pressure specified below), among others

Product features:

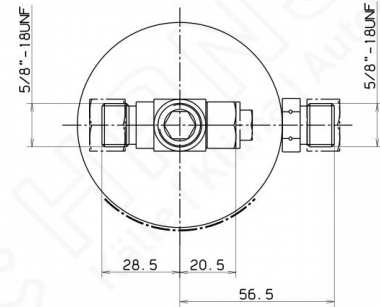
Product attributes:



HANSA 2525528050



HANSA 2525528050



HANSA 2525528050