

## HANSA Union nut steel G1/2" KMS 2600108050



### Product short description:

Union nut steel G1/2"  
According to DIN 8912 - fulfils DIN EN ISO14903  
Dimension (LxWxH): 18x19x19 mm  
Weight: 0,045 kg  
Part-No.: 2600108050

Made in Germany

### Product codes:

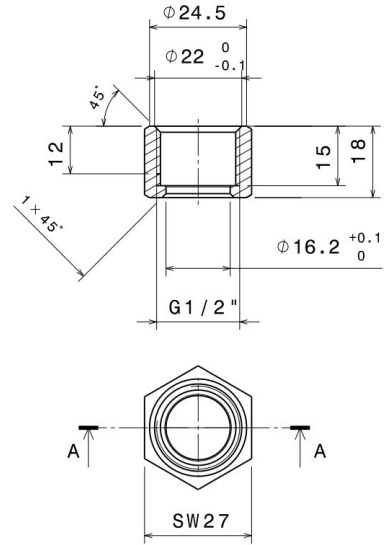
Reference: 2600108050  
EAN13: 4251692913161

### Product description:

#### Product features:

Material design: Steel  
Connection type: Thread  
Connection: G1/2"  
Width across flats AF: 27

### Product attributes:



HANSA 2600108050