

HANSA Union nut 7/16"-20UNF KM 2601105050

Product short description:

Union nut 7/16"-20UNF for 6mm or 1/4" tube
According to DIN 8912 - fulfils DIN EN ISO14903
Dimension (LxWxH): 17x20x15 mm
Weight: 0,018 kg
Part-No.: 2601105050



HANSA Überwurfmuttern / Union nut - Symbolfoto



Product codes:

Reference: 2601105050
EAN13: 4251692913178

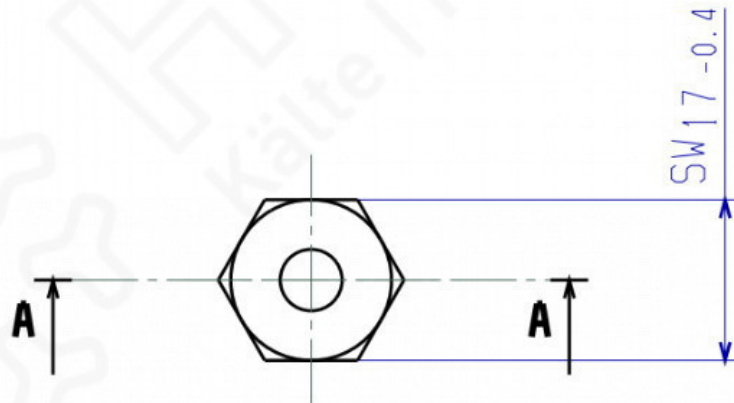
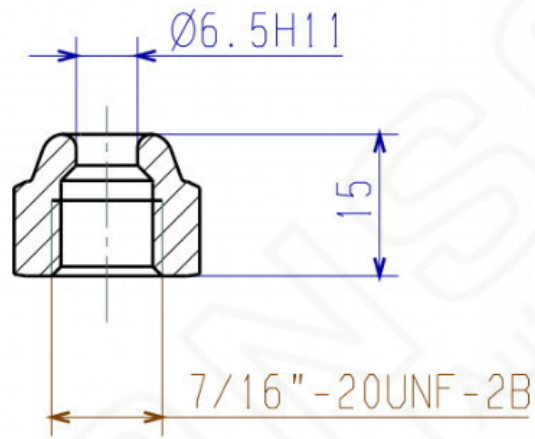
Product description:

Material: brass CW614N/617N (acc DIN EN12164) Operating pressure rang up to 140bar Operating temperature: -100°C to +200°C Approved refrigerants: HFC / PFC / CFC / HC / R290 / R744 with the exception of NH3 containing refrigerants. Approved oils: PAG / POE Meets the requirements of DIN EN ISO 14903 point 7.8 "Frost test".

Product features:

Material design: Brass
Connection: 7/16-20UNF
Width across flats AF: 17
Pressure range: 140 bar
Fits: Ø 6mm
Fits: 1/4"

Product attributes:



HANSA 2601105050