

## HANSA Union nut DIN 8912 6 mm 7/16" \_2601606050



### Product short description:

Union nut DIN 8912 6 mm A = 7/16"  
According to DIN 8912 - fulfils DIN EN ISO14903  
Dimension (LxWxH): 17x20x15 mm  
Weight: 0,017 kg  
Part-No.: 2601606050

Made in Germany

### Product codes:

Reference: 2601606050  
EAN13: 4251692913185

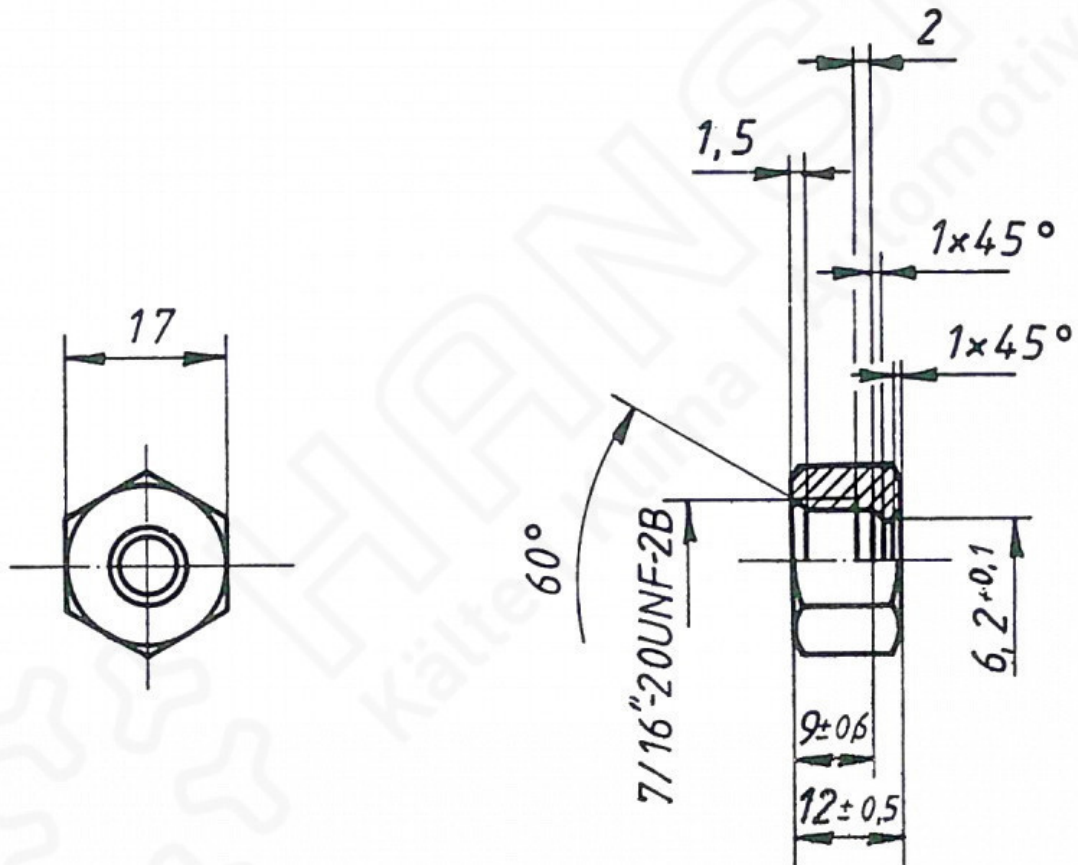
### Product description:

Material: brass CW614N/617N (acc DIN EN12164) Operating pressure rang up to 140bar Operating temperature: -100°C to +200°C Approved refrigerants: HFC / PFC / CFC / HC / R290 / R744 with the exception of NH3 containing refrigerants. Approved oils: PAG / POE Meets the requirements of DIN EN ISO 14903 point 7.8 "Frost test".

### Product features:

Material design: Brass  
Connection: 7/16"

### Product attributes:



HANSA 2601606050