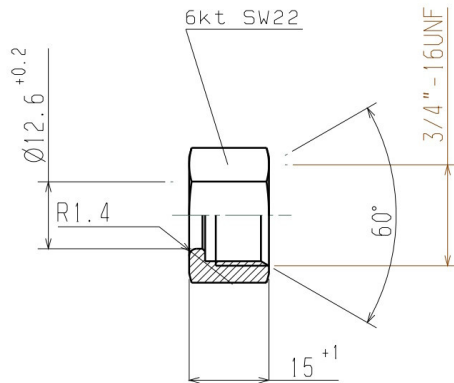


## HANSA Union nut for O-ring 3/4"-16UNF KMO 2603612050



HANSA 2603612050

### Product short description:

Union nut brass for O-ring 3/4"-16UNF connector fits tube size 12mm / 1/2"

Dimension (LxWxH): 15x22x22 mm

Weight: 0,024 kg

Part-No.: 2603612050

Made in Germany

### Product codes:

Reference: 2603612050

EAN13: 4251692913260

### Product description:

Material: brass CW614N/617N (acc DIN EN12164)

Operating pressure rang up to 140bar

Operating temperature: -100°C to +200°C

Approved refrigerants: HFC / PFC / CFC / HC / R290 / R744

with the exception of NH3 containing refrigerants.

Approved oils: PAG / POE

### Product features:

Material design: Brass

Connection type: O-Ring

Connection: 3/4"-16UNF

### Product attributes:





