

HANSA Union nut DIN 8912 16 mm | 7/8" _2606116050

Product short description:

Union nut DIN 8912 16 mm | 7/8"
According to DIN 8912 - fulfils DIN EN ISO14903
Dimension (LxWxH): xx mm
Weight: 0,078 kg
Part-No.: 2606116050



HANSA Überwurfmuttern / Union nut - Symbolfoto



Made in Germany

Product codes:

Reference: 2606116050
EAN13: 4251692913390

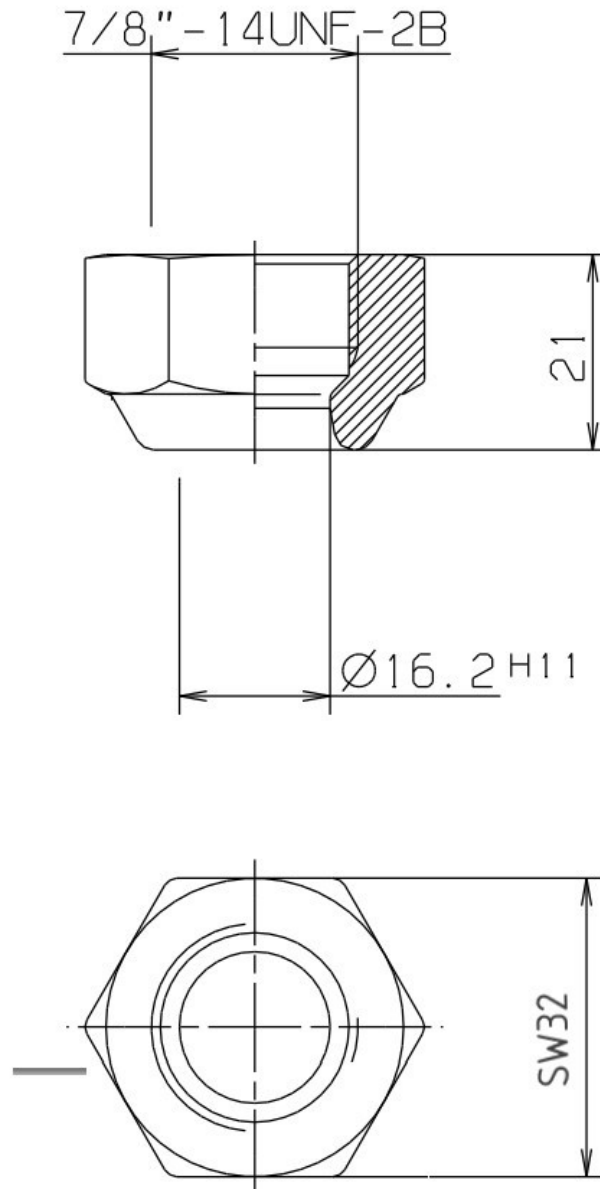
Product description:

Material: brass CW614N/617N (acc DIN EN12164)
Operating pressure rang up to 140bar
Operating temperature: -100°C to +200°C
Approved refrigerants: HFC / PFC / CFC / HC / R290 / R744
with the exception of NH3 containing refrigerants.
Approved oils: PAG / POE
Meets the requirements of DIN EN ISO 14903 point 7.8 "Frost test".

Product features:

Material design: Brass
Connection: 7/8"-14UNF
Width across flats AF: 32
Pressure range: 140 bar
Fits: Ø 16mm
Fits: 5/8"

Product attributes:



HANSA 2606116050