

## HANSA Union nut 1 1/16"-14UNS KM 2608120050



HANSA Überwurfmuttern / Union nut - Symbolfoto



### Product short description:

Union nut brass 1 1/16"-14UNS fits tube size 18 mm

According to DIN 8912 - fulfils DIN EN ISO14903

Dimension (LxWxH): 27x36x36 mm

Weight: 0,119 kg

Part-No.: 2608120050

Made in Germany

### Product codes:

Reference: 2608120050

EAN13: 4251692913420

### Product description:

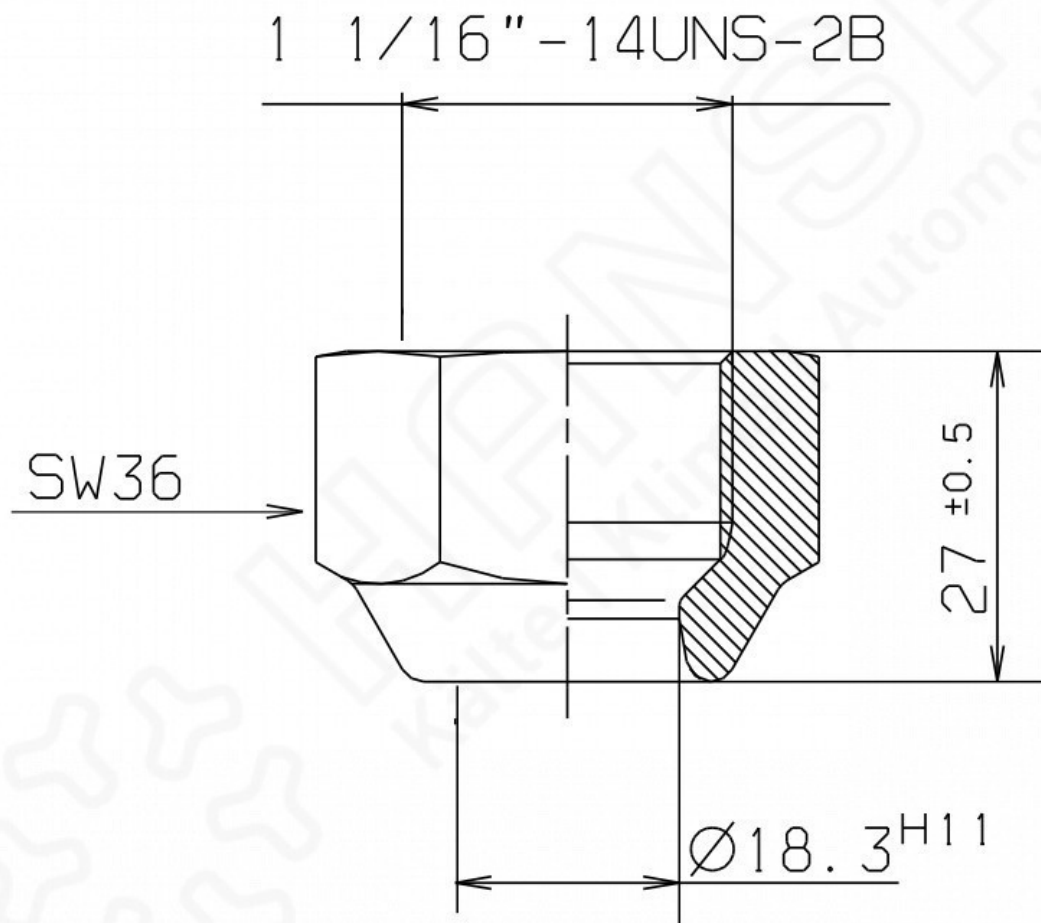
Material: brass CW614N/617N (acc DIN EN12164) Operating pressure rang up to 140bar Operating temperature: -100°C to +200°C Approved refrigerants: HFC / PFC / CFC / HC / R290 / R744 with the exception of NH3 containing refrigerants. Approved oils: PAG / POE Meets the requirements of DIN EN ISO 14903 point 7.8 "Frost test".

### Product features:

Material design: Brass

Connection: 1 1/16-14UNS

### Product attributes:



**HANSA 2608120050**