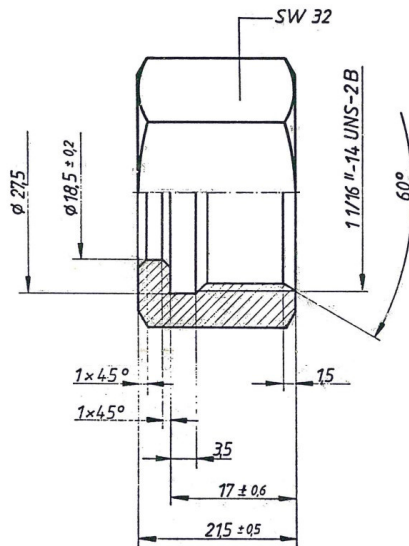


## HANSA Union nut brass o-ring for 1 1/16"-14UNS KMO 2608618050



HANSA 2608618050

### Product short description:

Union nut brass for o-ring connector 1 1/16"-14 UNS-2B fits tube size 18mm.

Meets DIN EN ISO14903 (frost proof)

Dimension (LxWxH): 22x32x32 mm

Weight: 0,07 kg

Part-No.: 2608618050

Made in Germany

### Product codes:

Reference: 2608618050

EAN13: 4251692913444

### Product description:

Material: brass CW614N/617N (acc DIN EN12164)

Operating pressure rang up to 140bar

Operating temperature: -100°C to +200°C

Approved refrigerants: HFC / PFC / CFC / HC / R290 / R744

with the exception of NH3 containing refrigerants.

Approved oils: PAG / POE

Meets the requirements of DIN EN ISO 14903 point 7.8 "Frost test".

### Product features:

Material design: Brass

Connection type: O-Ring

Connection: 1 1/16-14UNS

Width across flats AF: 32

---

**Product attributes:**



