

HANSA Union nut 1/2"-20UNF w sealing cap_2609100050

Product short description:

Union nut 1/2"-20UNF w copper sealing cap
(secured with silicone)
According to DIN 8912 - fulfils DIN EN ISO14903
Dimension (LxWxH): 17x20x15 mm
Weight: 0 kg
Part-No.: 2609100050



Made in Germany

Product codes:

Reference: 2609100050
EAN13: 4251692917688

Product description:

Materials

- 1: Union nut: brass CW614/617
- 2: Cap seal: copper CW024A (CU-DHP) or CW021A (CU-HCP)
- 3: Silicone, neutral crosslinking

Note: The silicone bonding is an assembly aid and does not provide a sealing function!

Operating pressure rang up to 130 bar

Operating temperature: -50°C to +150°C

Recommended indicate torque: 15 + 5 Nm

Approved refrigerants:

HFC / PFC / CFC / HC / HFO (e.g. R1234ze) / R744 / R290

No refrigerants containing NH3!

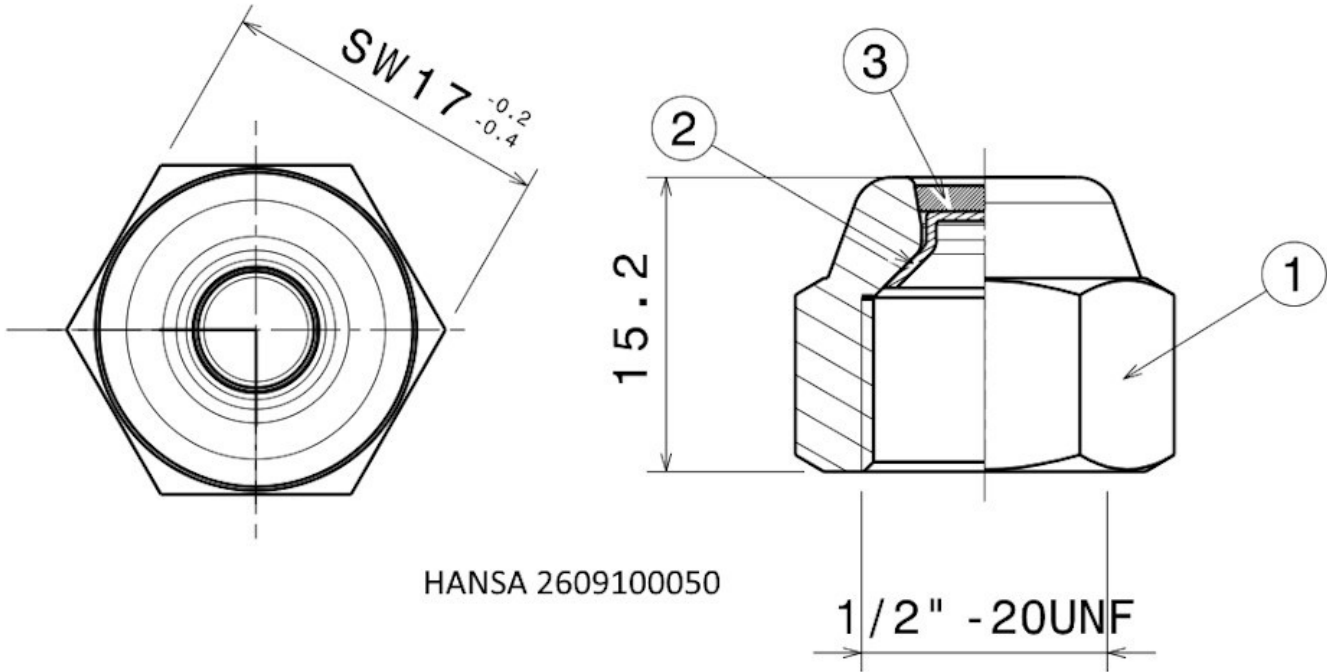
Product features:

Material design: Brass

Width across flats AF: 17

Pressure range: 130 bar

Product attributes:



Pos.	Benennung	Artikelnummer
1	Mutter	26016070GA
2	Dichtkappe	26170100GA
3	Silikon	neutral vernetzend