

## HANSA Union nut 7/16"-20UNF w sealing cap\_2609200050

### Product short description:

Union nut 7/16"-20UNF w sealing cap  
According to DIN 8912 - fulfils DIN EN ISO14903  
Dimension (LxWxH): 17x20x15 mm  
Weight: 0,019 kg  
Part-No.: 2609200050

Made in Germany



### Product codes:

Reference: 2609200050  
EAN13: 4251692917695

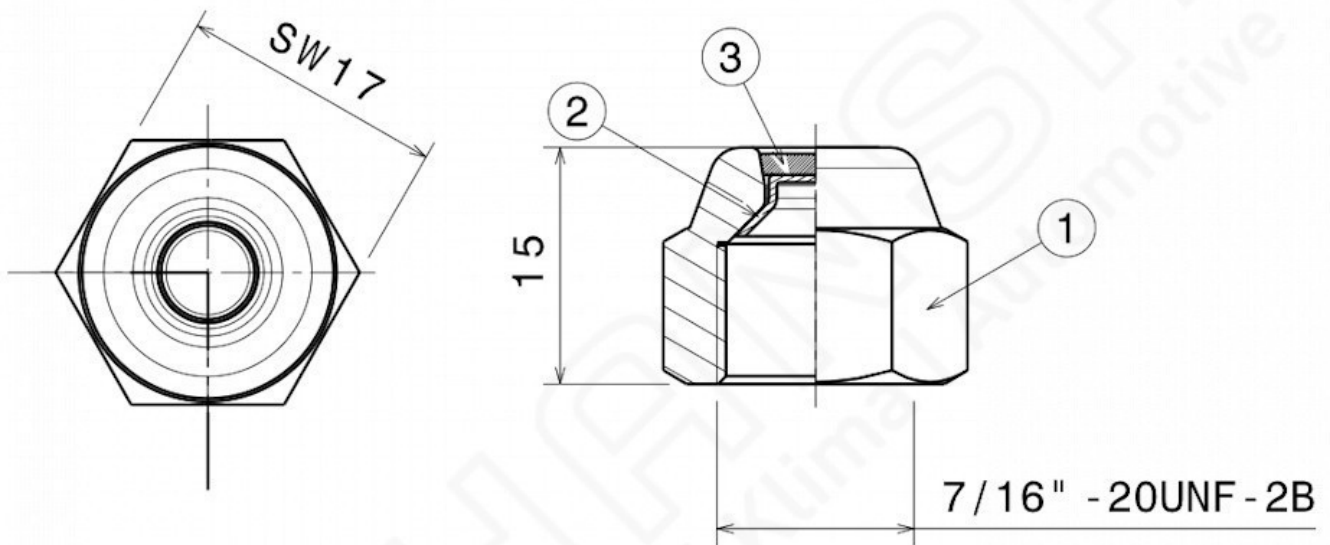
### Product description:

Materials1: Union nut: brass CW614/617 2: Cap seal: copper CW024A (CU-DHP) or CW021A (CU-HCP)3: Silicone, neutral crosslinking  
Note: The silicone bonding is an assembly aid and does not provide a sealing function!  
Operating pressure rang up to 130 bar  
Operating temperature: -50°C to +150°C  
Recommended indicate torque: 15 + 5 Nm  
Approved refrigerants: HFC / PFC / CFC / HC / HFO (e.g. R1234ze) / R744 / R290  
No refrigerants containing NH3!

### Product features:

Material design: Brass

### Product attributes:



Pos.	Benennung	Artikelnummer
1	Mutter	26011050GA
2	Dichtkappe	26170050GA
3	Silikon	neutral vernetzend

HANSA 2609200050