

HANSA DK copper sealing cap G1/4" 7/16" DIN8914-B1-6-CU DK 2617005050

Product short description:

DK copper sealing cap for union nut G1/4" 7/16"
fits tube size 6mm or 1/4"
meets DIN8914-B1-6-CU

Dimension (LxWxH): 10x10x7 mm
Weight: 0,001 kg
Part-No.: 2617005050

Made in Germany

Product codes:

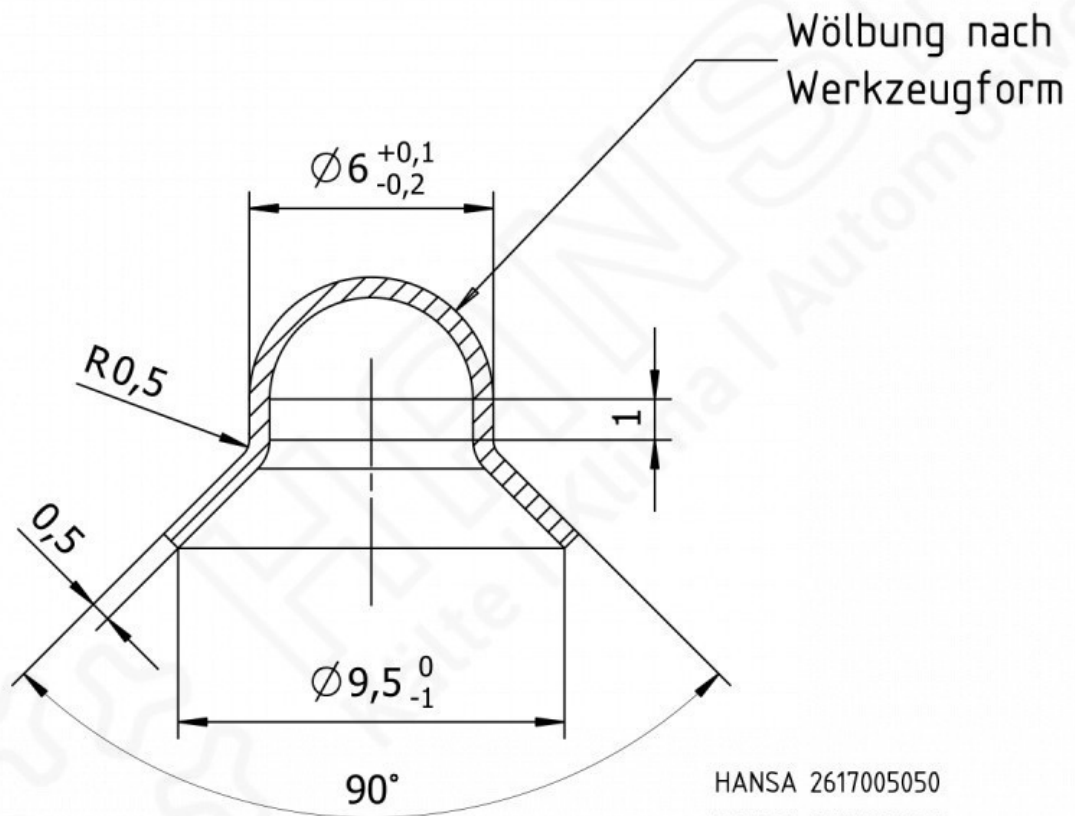
Reference: 2617005050
EAN13: 4251692913567

Product description:

Product features:

Material design: Copper

Product attributes:



HANSA 2617005050

HANSA 2617005055