

## HANSA copper sealing ring 1" | 1.1/16" | 1.1/8" DR 2619020050



HANSA Kupfer-Dichtringe  
HANSA copper sealing rings

### Product short description:

DR copper sealing ring 1" | 1.1/16" | 1.1/8"

Dimension (LxWxH): xx mm

Weight: 0,002 kg

Part-No.: 2619020050

Made in Germany

### Product codes:

Reference: 2619020050

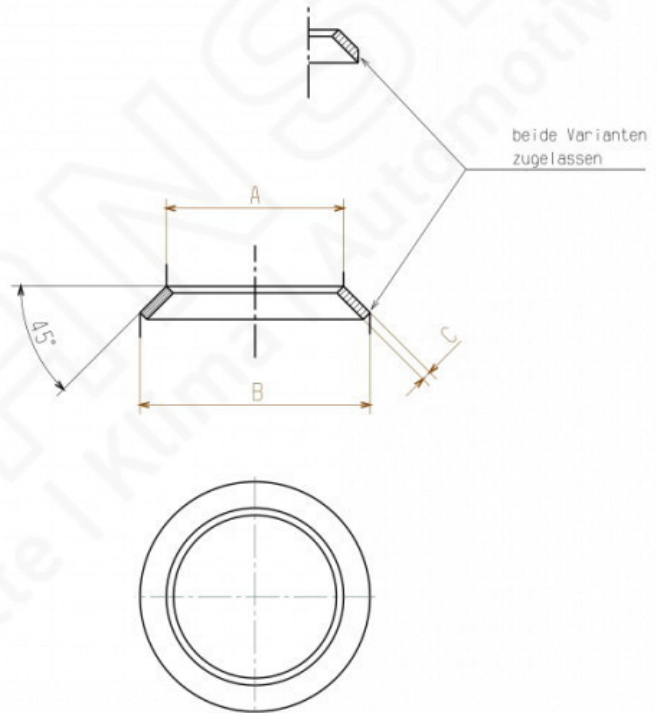
EAN13: 4251692913666

### Product description:

### Product features:

### Product attributes:

Lfd. Nr.	Artikel-Nr.	fuer Anschluss	Ø A ±0.5	Ø B -0.2	C
1	2619005050	7/16"	6.5	9.5	1
2	2619009050	5/8"	10	14	1
3	2619011050	3/4"	12.5	17	1
4	2619013050	7/8"	15.5	19.5	1
5	2619020050	1" 1 1/16" 1 1/8"	18.5	24	1
6	2619027050	1 3/8" 1 1/4"	20	28.5	1
7	2619105050	7/16"	5	9.5	1
8	2619109050	5/8"	7	14	1
9	2619111050	3/4"	11	17	1
10	2619113050	7/8"	12.8	19.6	1
11	2619120050	1 1/16"	17	24	1



HANSA Kupfer-Dichtringe Übersicht