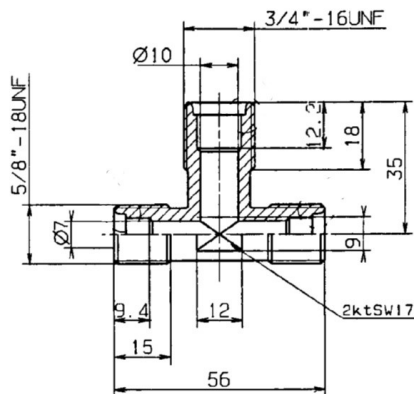


HANSA Tee connector for O-Ring 5/8"UNF x 3/4"UNF TR 2648610050



HANSA 2648610050

Product short description:

Tee connector brass for O-Ring connector
5/8"-18UNF x 3/4"-16UNF x 5/8"-18UNF fits tube
size 10/12mm

Dimension (LxWxH): 56x41x41 mm

Weight: 0,096 kg

Part-No.: 2648610050

Made in Germany

Product codes:

Reference: 2648610050

EAN13: 4251692917718

Product description:

Product features:

Material design: Brass

Connection type: O-Ring

Connection: 5/8"-18UNF

Connection: 3/4"-16UNF

Fits: Ø 10mm

Fits: Ø 12mm

Product attributes:

