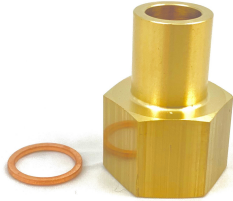


## HANSA Solder adapter for exchange valve 18 mm solder joint G1/2" with sealing ring LSA 2700318050



### Product short description:

Solder adapter for exchange valve 18 mm solder joint G1/2" with sealing ring.

The soldering adapter is approved for operating pressures up to 140 bar, provided that the connected copper pipe is also designed for this pressure range.

Dimension (LxWxH): xx mm

Weight: 0,084 kg

Part-No.: 2700318050

Made in Germany

### Product codes:

Reference: 2700318050

EAN13: 4251692914052

### Product description:

### Product features:

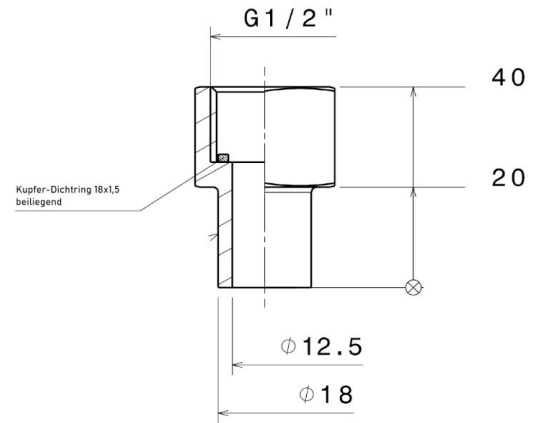
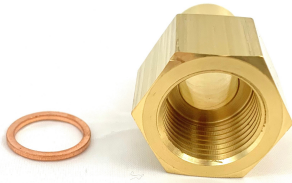
Material design: Brass

Connection: G1/2"

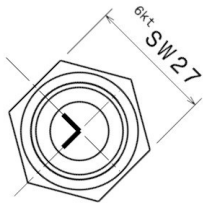
Width across flats AF: 27

Pressure range: 140 bar

### Product attributes:



HANSA 2700318050



HANSA 2700318050