

HANSA Solder connector 18 mm solder joint G1/2" AS 2700418050



Product short description:

Solder connector for HANSA safety valves KSV / ÜSV 18 mm solder joint G1/2"

Dimension (LxWxH): xx mm

Weight: 0,069 kg

Part-No.: 2700418050

Made in Germany

Product codes:

Reference: 2700418050

EAN13: 4251692914090

Product description:

Product features:

Material design: Brass

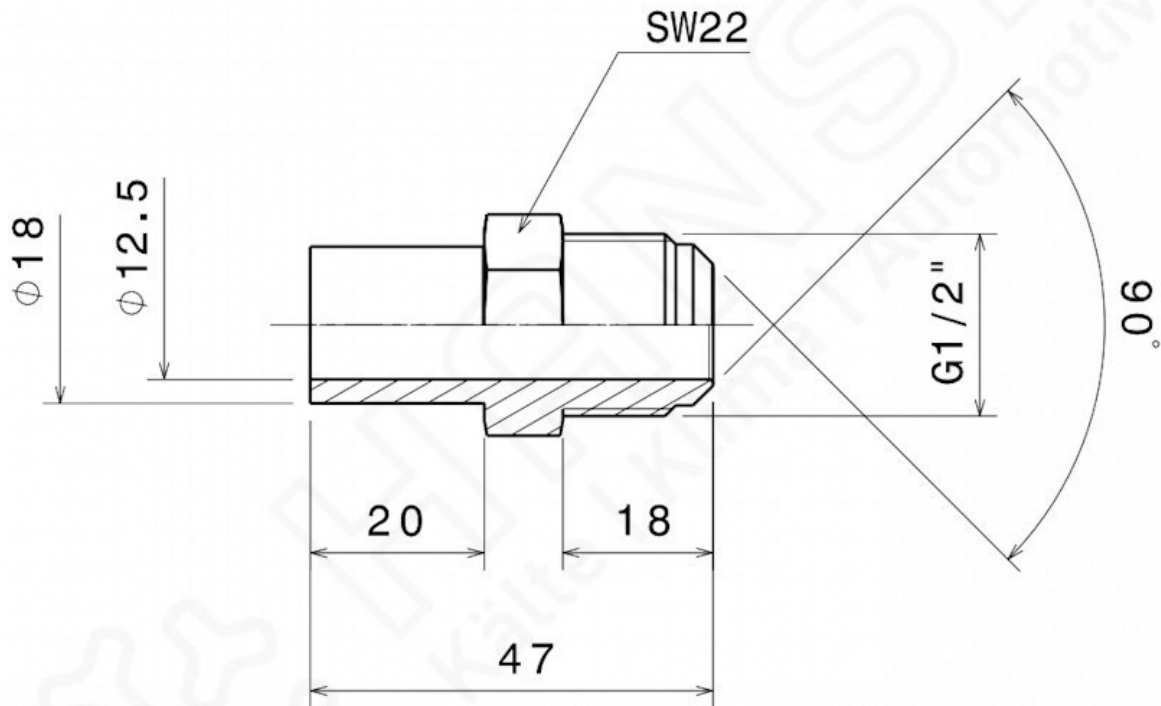
Connection type: Flare

Connection: G1/2"

Width across flats AF: 22

Pressure range: 140 bar

Product attributes:



HANSA 2700418050