

HANSA Solder connector for KSV / ÜSV 22 mm solder joint G1/2" _2700422050



Product short description:

Solder connector for KSV / ÜSV 22 mm solder joint G1/2"

Dimension (LxWxH): 25x25x47 mm

Weight: 0,09 kg

Part-No.: 2700422050

Made in Germany

Product codes:

Reference: 2700422050

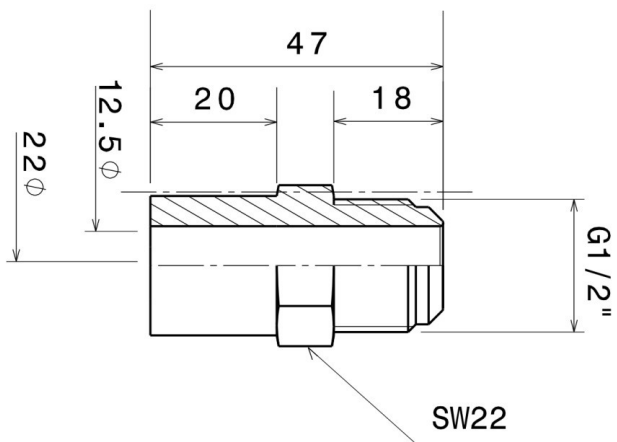
EAN13: 4251692914106

Product description:

Product features:

Material design: Brass

Product attributes:



HANSA 2700422050