

HANSA Solder adapter G1" 22mm KSV outlet_2700516050



Product short description:

Solder / brazing adapter G1" 22mm fits HANSA safety valves type KSV and HD-KSV
Max operating pressure 60 bar
Dimension (LxWxH): 48x36x40 mm
Weight: 0,132 kg
Part-No.: 2700516050

Made in Germany

Product codes:

Reference: 2700516050
EAN13: 4251692914182

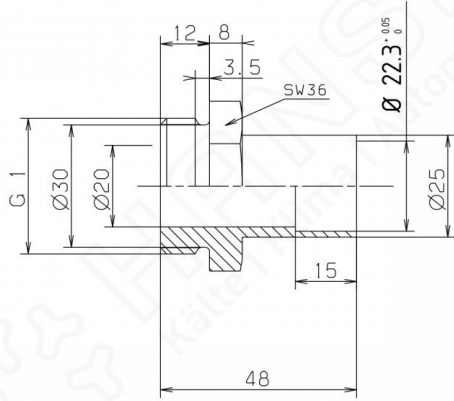
Product description:

Product features:

Material design: Brass
Connection type: Thread
Connection: G1"

Product attributes:





HANSA 2700516050