

## HANSA Screw-in adapter 5/8"UNF 3/8"NPT EK 2715009050



HANSA Einschraubstutzen  
HANSA Screw adapter / connector

### Product short description:

Screw-in adapter 5/8"UNF 3/8"NPT fits tube size  
10mm | 3/8"  
According to DIN 8906  
Dimension (LxWxH): xx mm  
Weight: 0,05 kg  
Part-No.: 2715009050

Made in Germany

### Product codes:

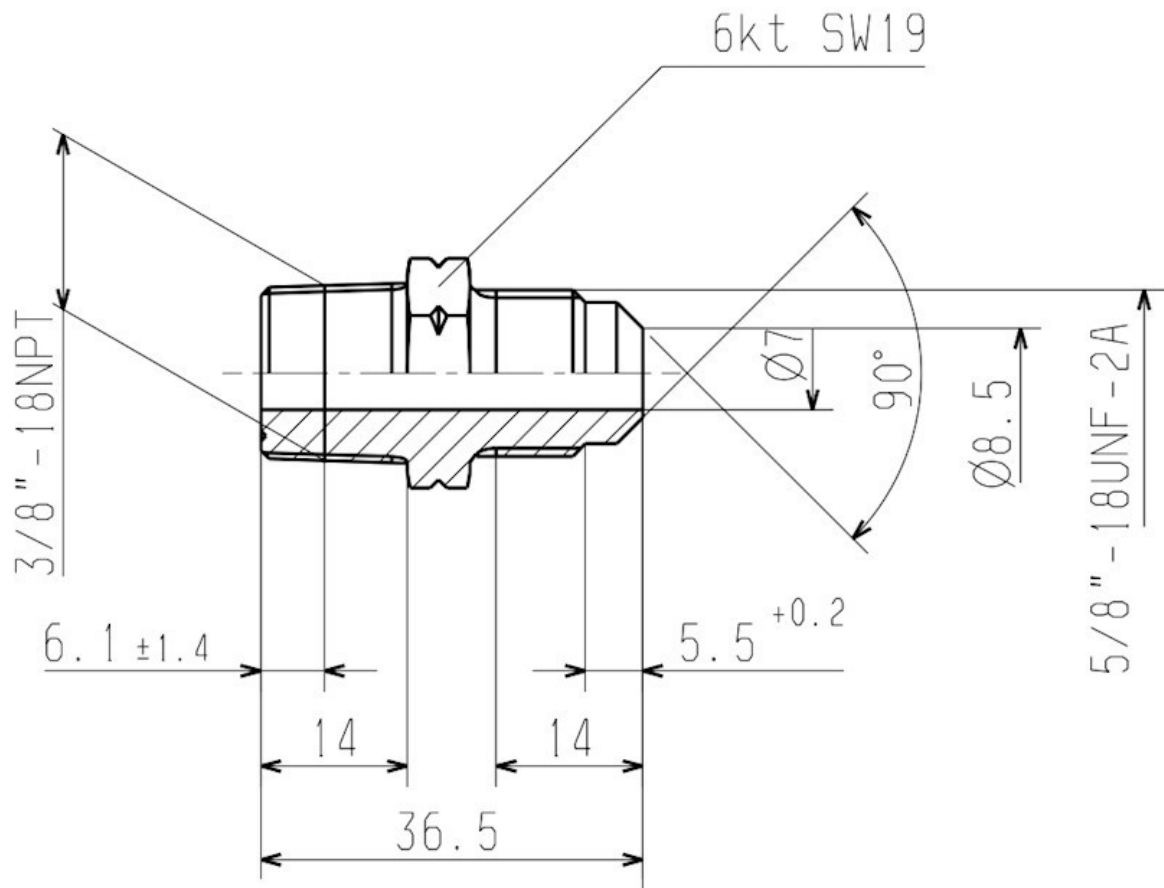
Reference: 2715009050  
EAN13: 4251692914328

### Product description:

#### Product features:

Material design: Brass  
Connection type: Flare  
Connection type: Thread  
Connection: 5/8"-18UNF  
Connection: 3/8"-18NPT  
Pressure range: 140 bar  
Fits: Ø 10mm  
Fits: 3/8"

### Product attributes:



HANSA 2715009050