

HANSA Screw-in adapter 5/8" UNF 1/2" NPT EK 2716009050



HANSA Einschraubstutzen
HANSA Screw adapter / connector

Product short description:

Screw-in adapter DIN 8906* 10 mm 5/8" UNF
1/2" NPT fits tube size 10 mm
According to DIN 8906
Dimension (LxWxH): xx mm
Weight: 0,093 kg
Part-No.: 2716009050

Product codes:

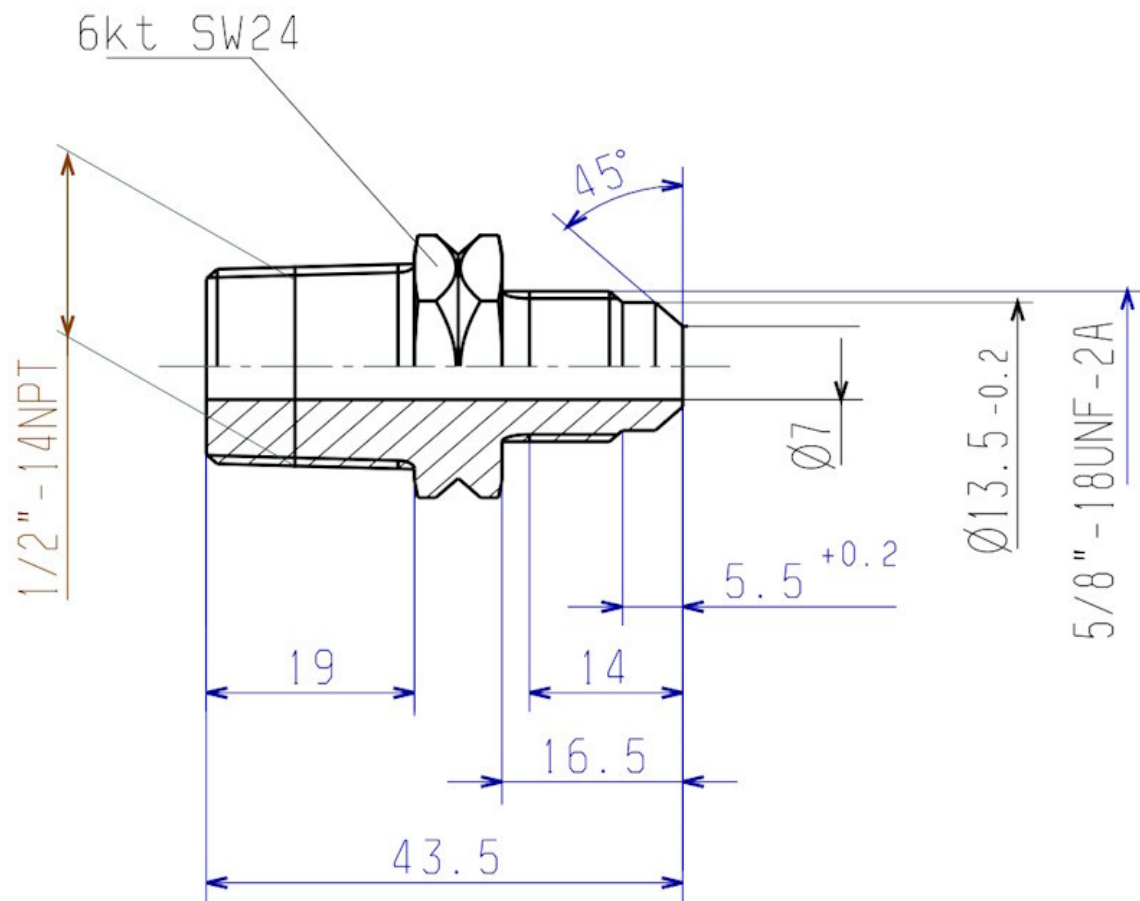
Reference: 2716009050
EAN13: 4251692914335

Product description:

Product features:

Material design: Brass
Connection: 5/8"-18UNF
Connection: 1/2"-14NPT
Pressure range: 140 bar
Fits: Ø 10mm

Product attributes:



HANSA 2716009050