

HANSA Screw-in adapter 7/8" UNF 1/2" NPT EK 2720016050



HANSA Einschraubstutzen
HANSA Screw adapter / connector

Product short description:

Screw-in adapter 7/8"-14UNF 1/2"-14NPT fits
tube size 15/16mm
According to DIN 8906
Dimension (LxWxH): xx mm
Weight: 0,086 kg
Part-No.: 2720016050

Made in Germany

Product codes:

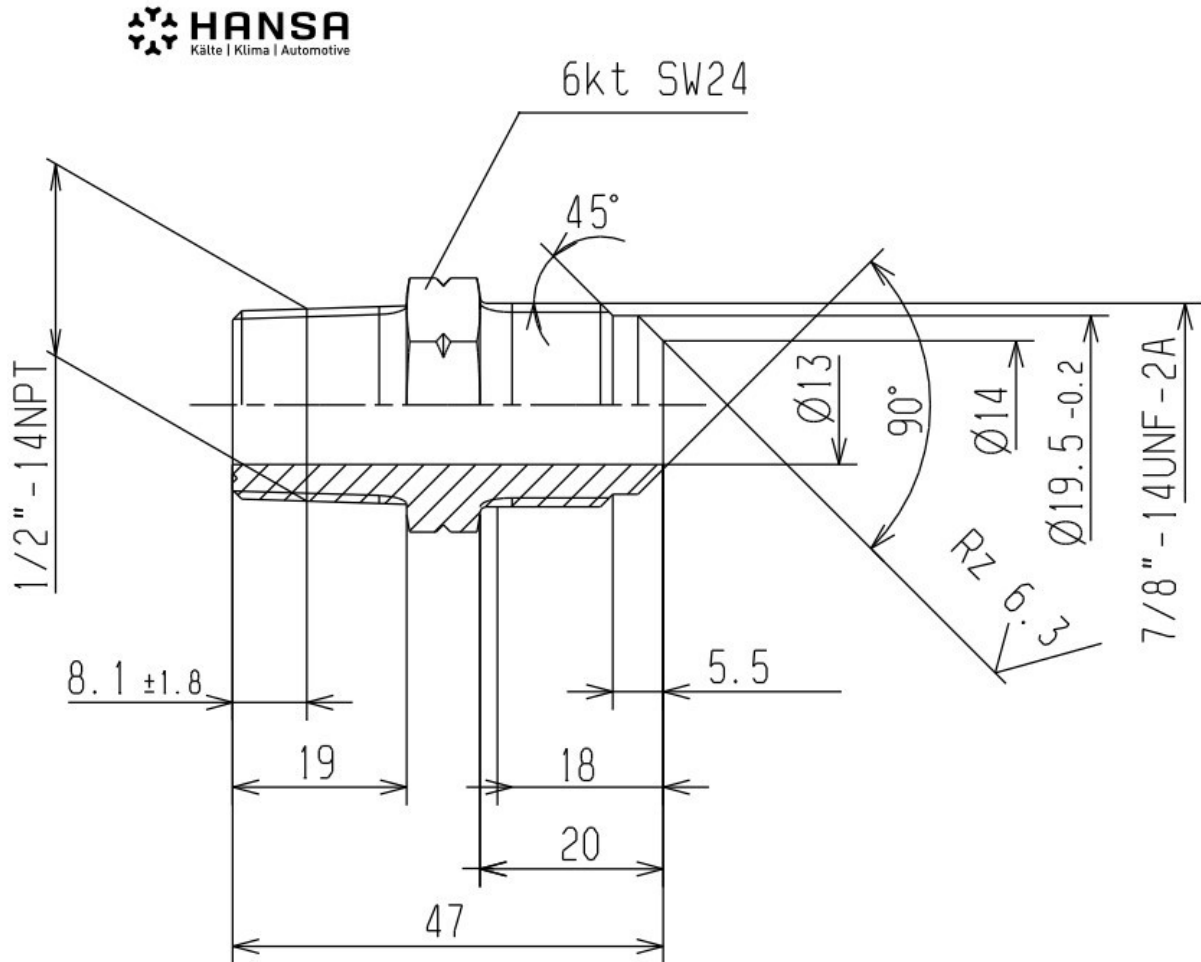
Reference: 2720016050
EAN13: 4251692914373

Product description:

Product features:

Material design: Brass
Connection type: Flare
Connection: 7/8"-14UNF
Connection: 1/2"-14NPT
Pressure range: 140 bar
Fits: Ø 15/16mm

Product attributes:



HANSA 2720016050