

## HANSA Solder socket 7/16"-20UNF 2730305050

### Product short description:

Solder socket 7/16-20UNF fits tube size 6mm | 1/4"

Solder depth 4mm  
According to DIN 8906  
Dimension (LxWxH): xx mm  
Weight: 0,018 kg  
Part-No.: 2730305050

Made in Germany



HANSA 2730306050

### Product codes:

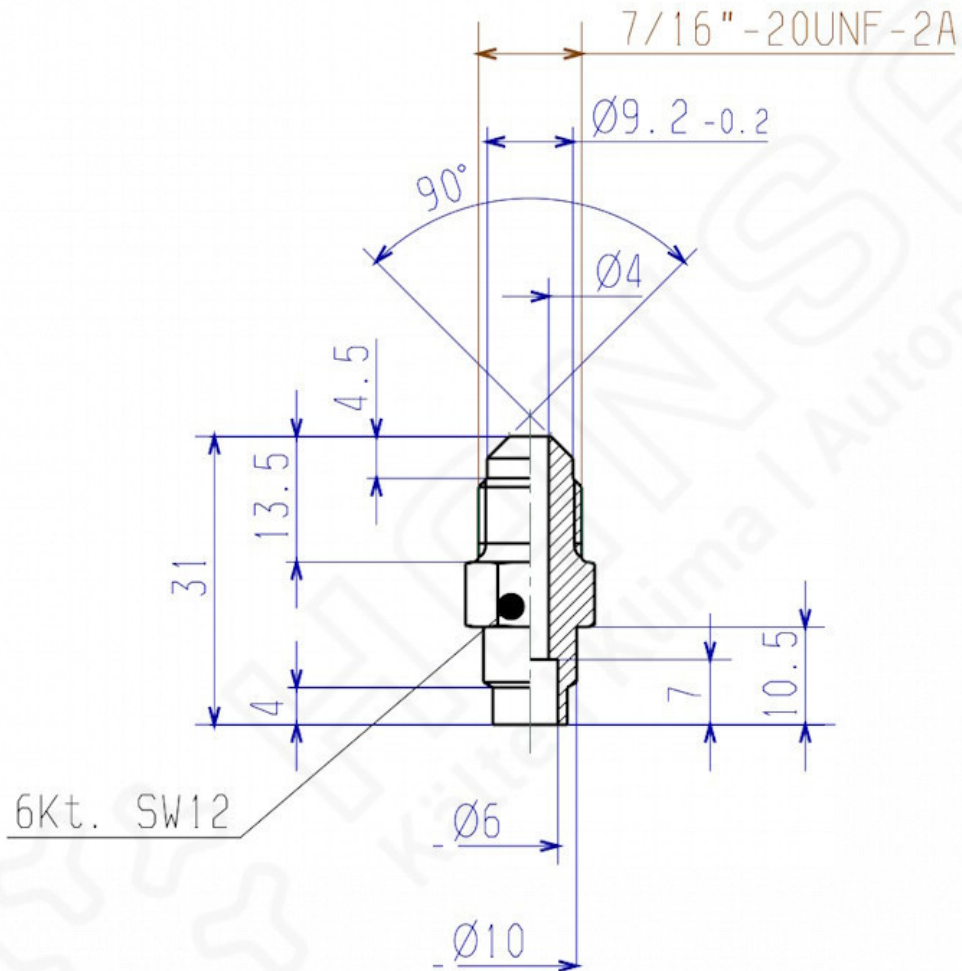
Reference: 2730305050  
EAN13: 4251692914427

### Product description:

#### Product features:

Material design: Brass  
Connection type: Flare  
Connection type: Solder ODF  
Connection: 7/16-20UNF  
Pressure range: 140 bar

#### Product attributes:



HANSA 2730305050