

## HANSA Solder socket 7/16"-20UNF w 5V1 for valve core LS 2730306050

### Product short description:

Solder socket 7/16"-20UNF with 5V1 thread for valve core fits tube size 6 mm | 7/16"

Dimension (LxWxH): 12x14x29 mm

Weight: 0,015 kg

Part-No.: 2730306050

Made in Germany



HANSA 2730306050

### Product codes:

Reference: 2730306050

EAN13: 4251692914434

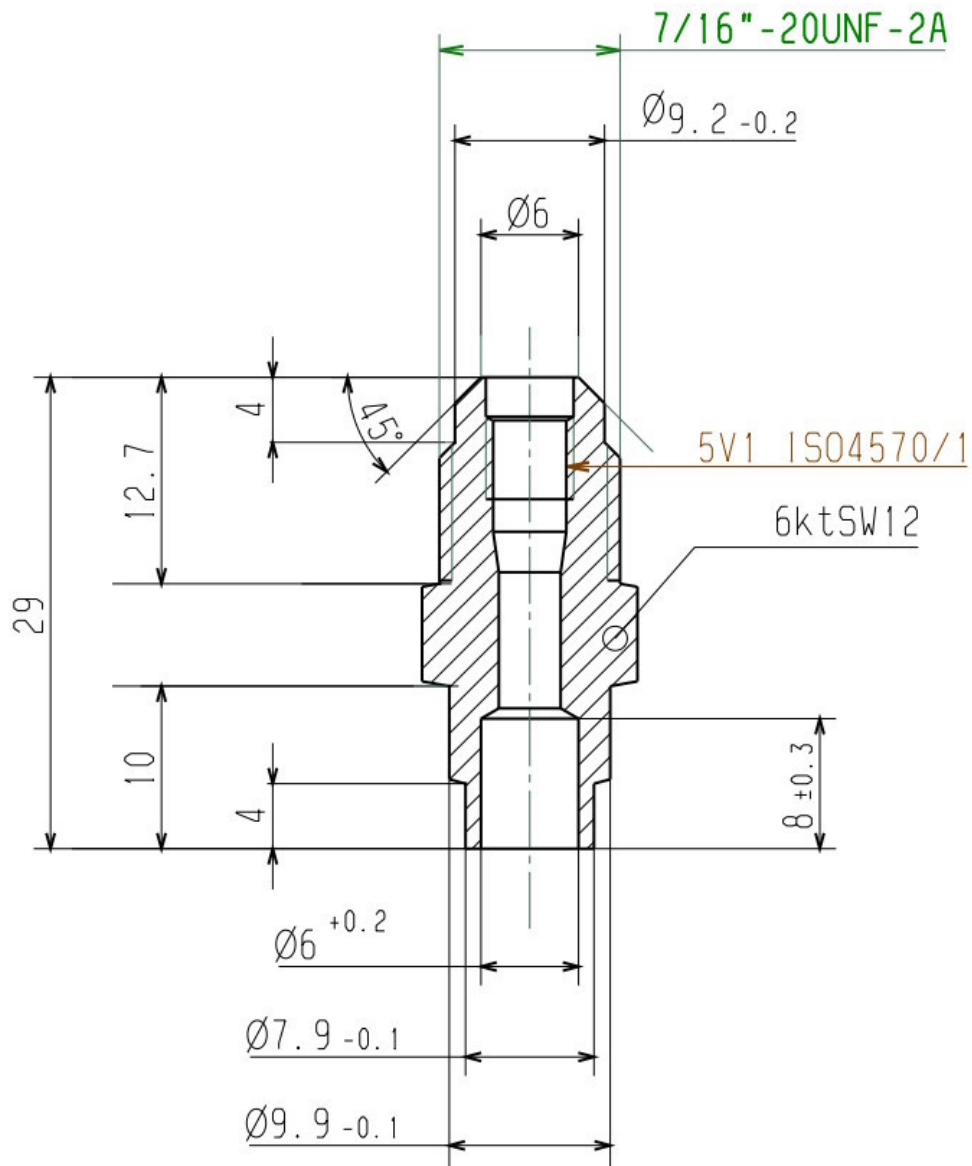
### Product description:

Approved refrigerants: HFC / PFC / CFC / HC particular R290 and R744  
Not approved for refrigerants containing NH3!

### Product features:

Material design: Brass  
Connection type: Flare  
Connection type: Solder ODF  
Connection: 7/16-20UNF  
Connection: 5V1  
Pressure range: 140 bar  
Fits: Ø 6mm

### Product attributes:



HANSA 2730306050