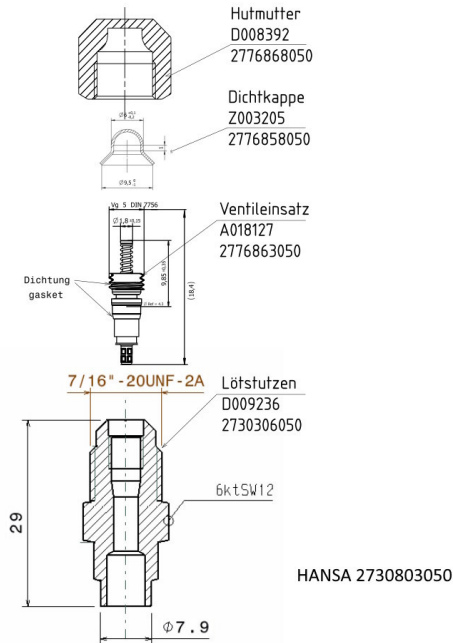


HANSA Solder socket with valve insert and cap nut 7/16" 2730803050



Product short description:

Solder socket with valve insert and cap nut DIN 8919 6 mm | 7/16"

Dimension (LxWxH): xx mm

Weight: 0,028 kg

Part-No.: 2730803050

Made in Germany

Product codes:

Reference: 2730803050

EAN13: 4251692914519

Product description:

Material: brass CW614N acc DIN EN12164:

Operating pressure rang up to 140bar with mounted cap nut and suitable copper tube. Without cap operating pressure up to 48 bar.

Leakage rate with cap nut plus copper sealing cap \leq 2g/a test pressure of 35-40 bar.

Operating temperature range -40°C to 110°C (shortterm +130°C)

Tightening torque of valve insert: 0,4 to 0,8 Nm

Approved refrigerants: HFC / PFC / CFC / HC e.g. R1234yf, R1234ze, R290, R32, R410a, R513a, R454B, R454C, R744a (up to the mentioned max. Operating pressure).

NO refrigerants containing NH3 (Ammonia).

Product features:

Material design: Brass

Connection type: Flare
Connection: 7/16-20UNF

Product attributes:

