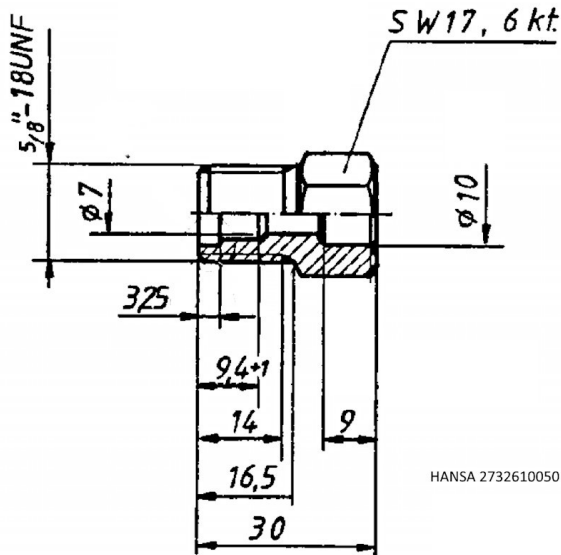


HANSA Solder 5/8"-18UNF socket for O-ring design 10 mm 3/8" 2732610050



Product short description:

Solder socket 5/8"-18UNF for O-ring design tube size 10 mm 3/8"

Dimension (LxWxH): 30x17x19 mm

Weight: 0,036 kg

Part-No.: 2732610050

Made in Germany

Product codes:

Reference: 2732610050

EAN13: 4251692914595

Product description:

Product features:

Material design: Brass

Connection type: O-Ring

Connection type: Solder ODF

Connection: 5/8"-18UNF

Width across flats AF: 17

Pressure range: 130 bar

Fits: Ø 10mm

Fits: 3/8"

Product attributes:

