

HANSA Solder socket for O-ring design | 12 mm | 1/2" _2733616050



Product short description:

Solder socket for O-ring design | 12 mm | 1/2"

Dimension (LxWxH): xx mm

Weight: 0,065 kg

Part-No.: 2733616050

Made in Germany

Product codes:

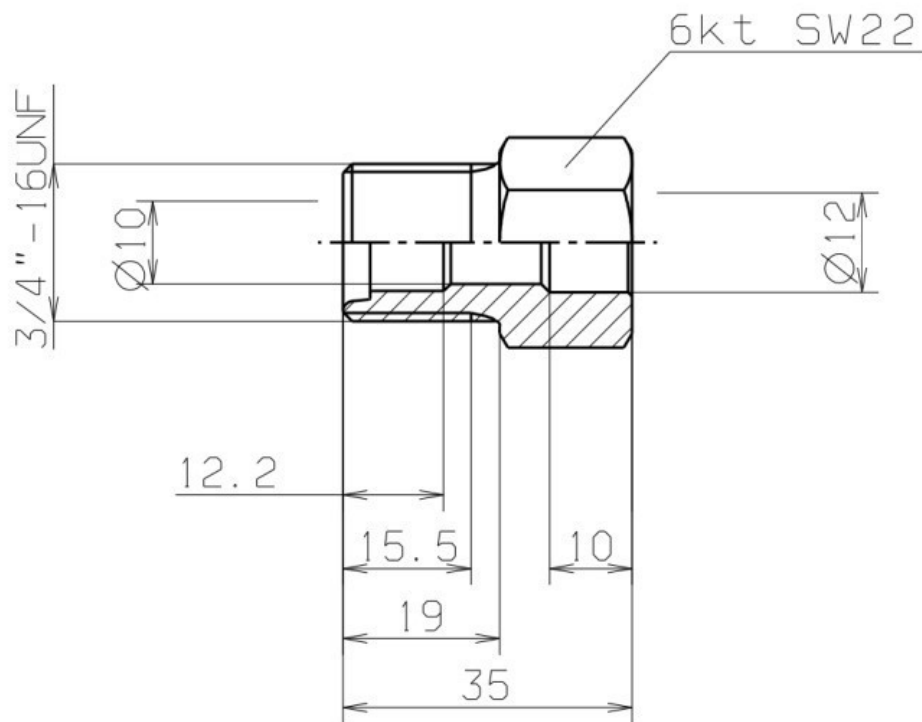
Reference: 2733616050

EAN13: 4251692914625

Product description:

Product features:

Product attributes:



HANSA 2733616050