

## HANSA Solder socket DIN 8906\* 7/8"14UNF |18 mm | 3/4"18 mm | 3/4" \_2734320050

### Product short description:

Solder socket DIN 8906\* 7/8"14UNF |18 mm |  
3/4"18 mm | 3/4"  
According to DIN 8906  
Dimension (LxWxH): xx mm  
Weight: 0,135 kg  
Part-No.: 2734320050

Made in Germany

### Product codes:

Reference: 2734320050  
EAN13: 4251692914656



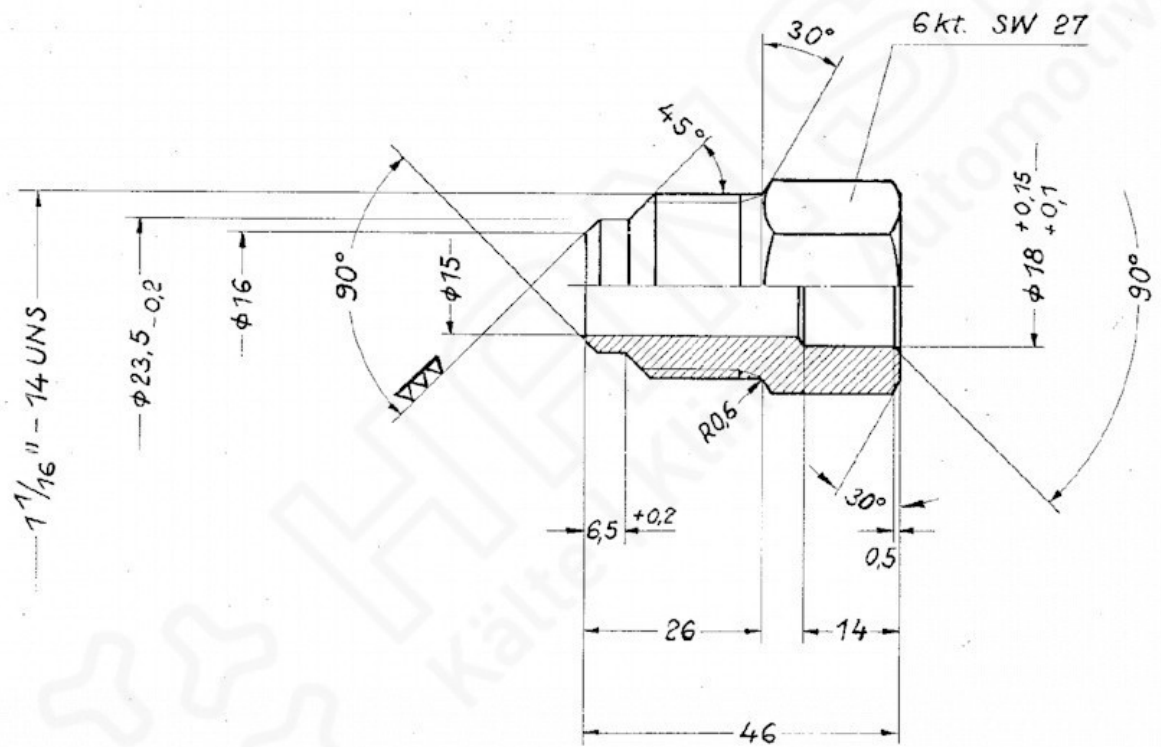
HANSA 2734320050

### Product description:

#### Product features:

Material design: Brass  
Connection type: Flare  
Connection type: Solder ODF  
Connection: 18 mm  
Connection: 1 1/16-14UNS

### Product attributes:



HANSA 2734320050