

HANSA Sealing plug DIN 8912 10 mm | 5/8" UNF_2750309050

Product short description:

Sealing plug DIN 8912 10 mm | 5/8" UNF
According to DIN 8912
Dimension (LxWxH): xx mm
Weight: 0,037 kg
Part-No.: 2750309050

Made in Germany

Product codes:

Reference: 2750309050
EAN13: 4251692914816

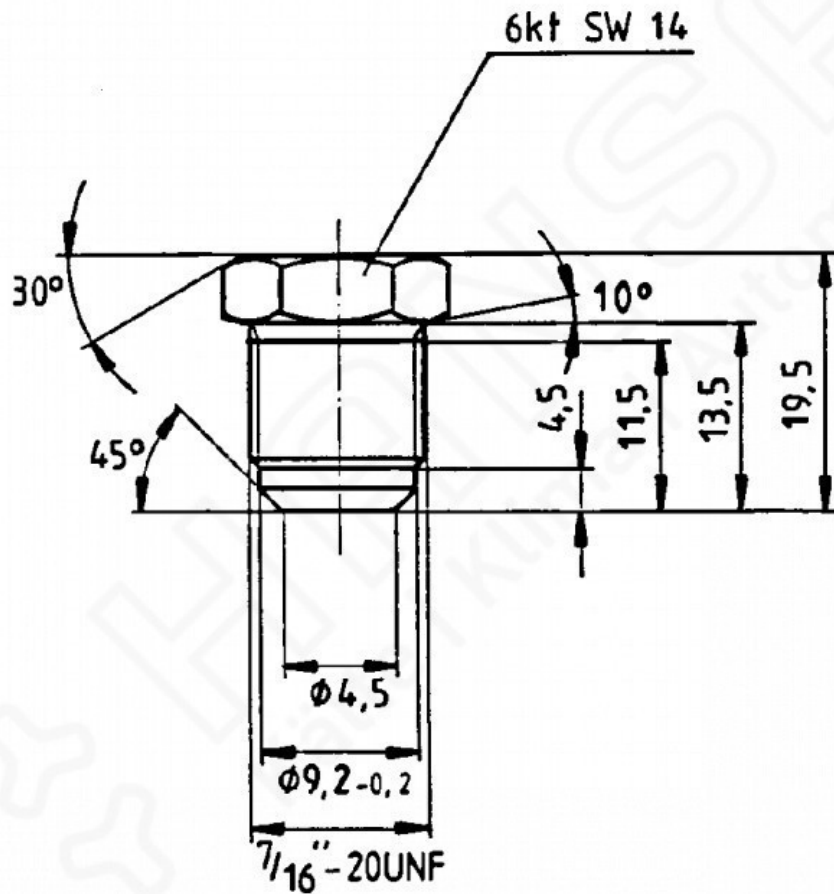


Product description:

Product features:

Material design: Brass
Connection: 5/8"-18UNF
Width across flats AF: 17
Pressure range: 140 bar

Product attributes:



HANSA 2750309050