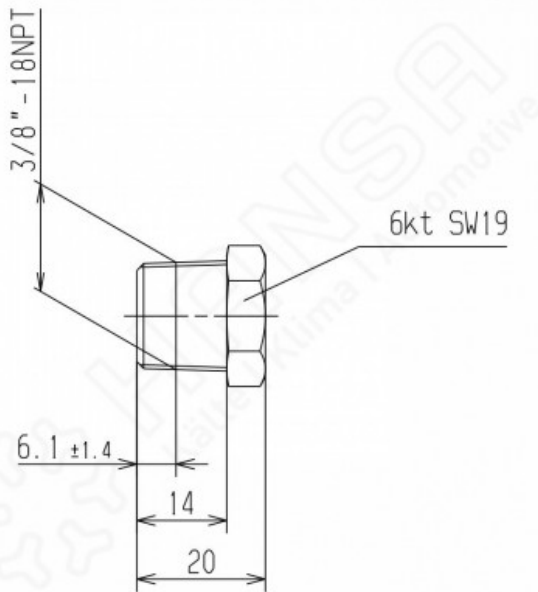


## HANSA Conical sealing plug 3/8"-18NPT 2763001050



HANSA 2763001050

### Product short description:

Conical sealing plug DIN 8912 3/8" NPT  
According to DIN 8912  
Dimension (LxWxH): xx mm  
Weight: 0,04 kg  
Part-No.: 2763001050

Made in Germany

### Product codes:

Reference: 2763001050  
EAN13: 4251692914861

### Product description:

### Product features:

Material design: Brass  
Connection: 3/8"-18NPT  
Width across flats AF: 19

### Product attributes:

