

HANSA pressure gauge with drag indicator 60bar connection 7/16" UNF 2776660050



Product short description:

Pressure gauge with drag indicator 60 bar
Connection 7/16" UNF

For use in refrigeration systems

Approved for liquids in

- Group 1 (e.g. R290 (propane), R32, R1234yf)
- Group 2 (e.g. HFC (R134a), HFOs, HFC/HFO) R744

Other applications: For gaseous and liquid, non-highly viscous and non-crystallising media that do not attack copper alloys.

Dimension (LxWxH): 90x65x65 mm

Weight: 0,216 kg

Part-No.: 2776660050

Product codes:

Reference: 2776660050

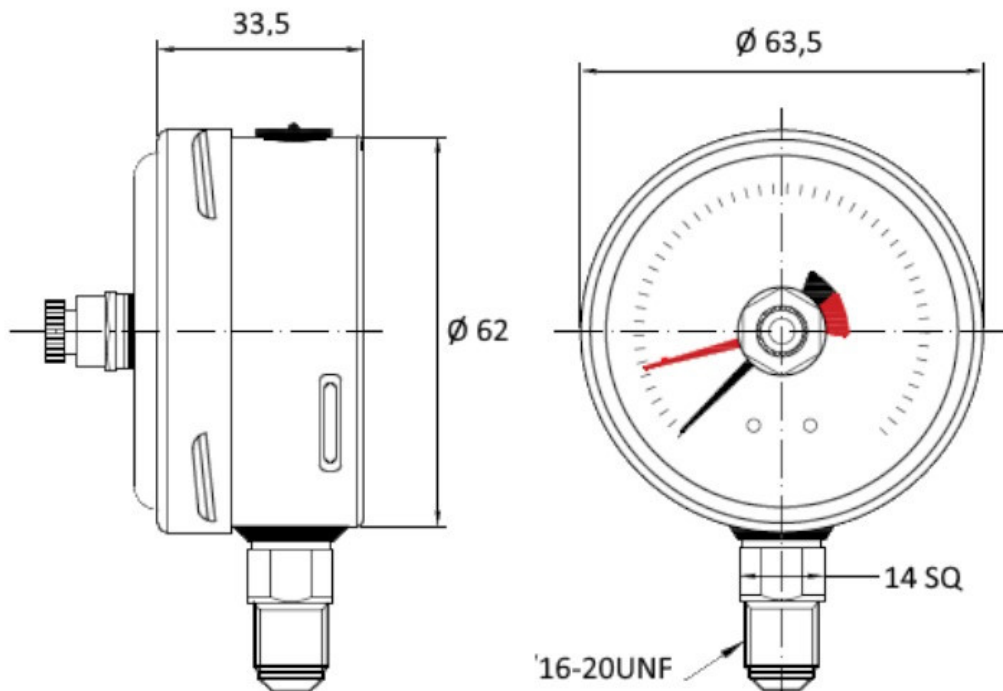
EAN13: 4251692914922

Product description:

Product features:

Connection: 7/16"

Product attributes:



HANSA 2776250050

HANSA 2776600050

HANSA 2776660050