

HANSA seal ring copper Ø 18 x 1,5 mm for G1/2" WSV_2776854050



Product short description:

Gasket Copper Ø 18 x 1,5 mm for WSV

fits HANSA changeover valve G1/2" connector

Dimension (LxWxH): 18x18x1,5 mm

Weight: 0,001 kg

Part-No.: 2776854050

Made in Germany

Product codes:

Reference: 2776854050

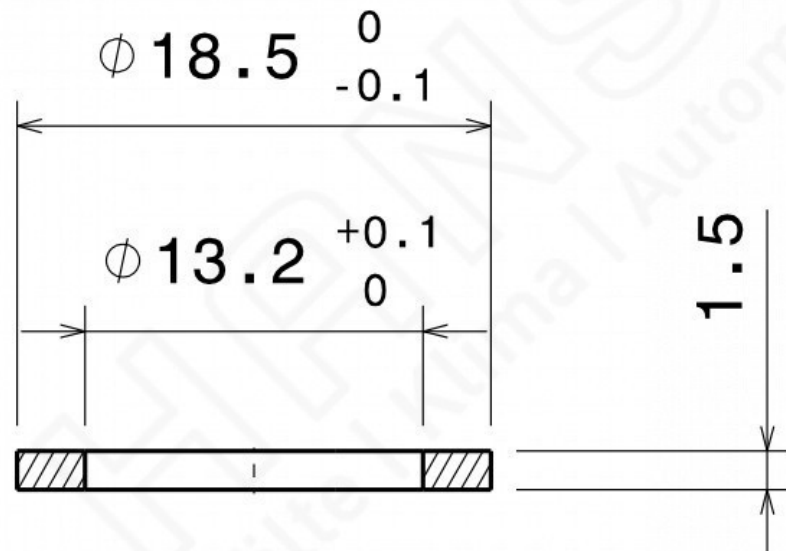
EAN13: 4251692918289

Product description:

Product features:

Material design: Copper

Product attributes:



HANSA 2776830050