

HANSA tool and spare capsule (empty) for valve core TO 2776866050



Product short description:

Spare capsule empty and valve core tool for valve type "Schrader"

Dimension (LxWxH): 34x16x16 mm

Weight: 0,029 kg

Part-No.: 2776866050

Made in Germany

Product codes:

Reference: 2776866050

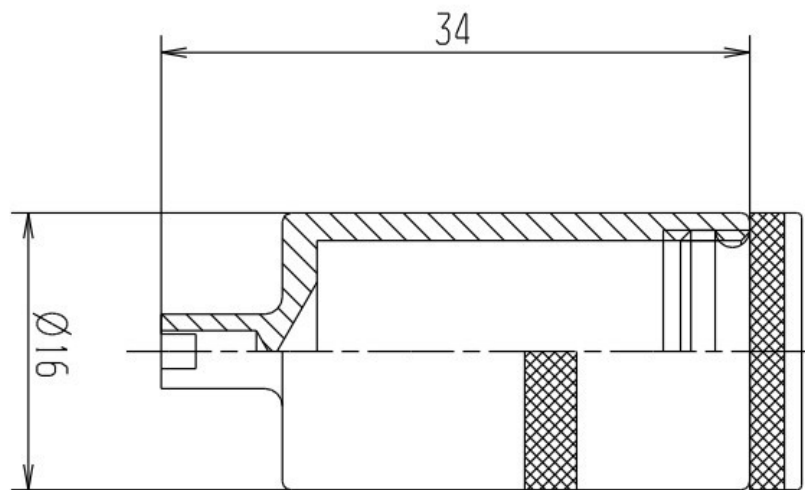
EAN13: 4251692915066

Product description:

Product features:

Material design: Brass

Product attributes:



HANSA 2776866050